

Am486™ SX2-50 MHz**High-Performance, Clock-Doubled, 32-Bit Microprocessor****Advanced
Micro
Devices****DISTINCTIVE CHARACTERISTICS**

- **Binary Compatible with Large Software Base**
 - MS-DOS, OS/2, Windows™
 - UNIX, Windows NT™
- **High Integration On-Chip**
 - 8-Kbyte code and data cache
 - Paged, virtual memory management
- **Easy to Use**
 - Built-in self test
 - Hardware debugging support
 - Extensive third-party software support
- **Standard 168-Pin PGA Package**
- **IEEE 1149.1 Boundary Scan Compatibility on all versions**
- **Standard DX2 Pinout**
- **High-performance Design**
 - Frequent instructions execute in one clock
 - 50-MHz clock frequency
 - 80-Million bytes/second burst bus at 25 MHz
 - 0.7-micron CMOS process technology
 - Dynamic bus sizing for 8-, 16-, and 32-bit buses
- **Complete 32-bit Architecture**
 - All registers
 - 8-, 16-, and 32-bit data types
- **Multiprocessor Support**
 - Multiprocessor instructions
 - Cache consistency protocol
 - Support for second-level cache

GENERAL DESCRIPTION

The Am486SX2 CPU offers the highest performance for DOS, OS/2, Windows, and UNIX applications. It is binary compatible with the 386 architecture. One million plus transistors integrate cache memory and memory management on-chip while retaining binary compatibility with previous members of the x86 architectural family. Frequently used instructions execute in one cycle, resulting in RISC performance levels. An 8-Kbyte unified code and data cache combine with an 80-Million bytes/second burst bus at 25 MHz to ensure high system throughput.

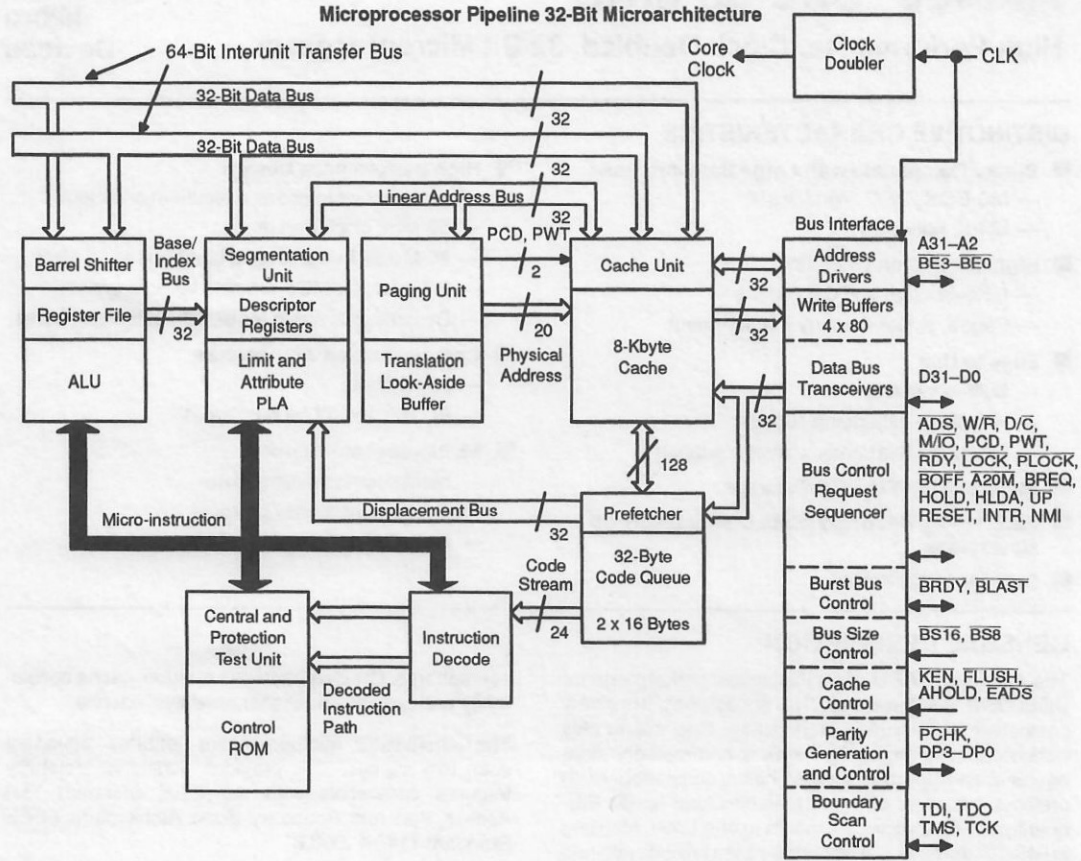
New features enhance multiprocessing systems. New instructions speed manipulation of memory-based

semaphores. On-chip hardware ensures cache consistency and provides hooks for multilevel caches.

The Am486SX2 microprocessor features boundary scan test signals. This provides additional testability features compatible with the IEEE Standard Test Access Port and Boundary Scan Architecture (IEEE Standard 1149.1 JTAG).

The built-in self test extensively tests on-chip logic, cache memory, and the on-chip paging translation cache. Debug features include breakpoint traps on code execution and data accesses.

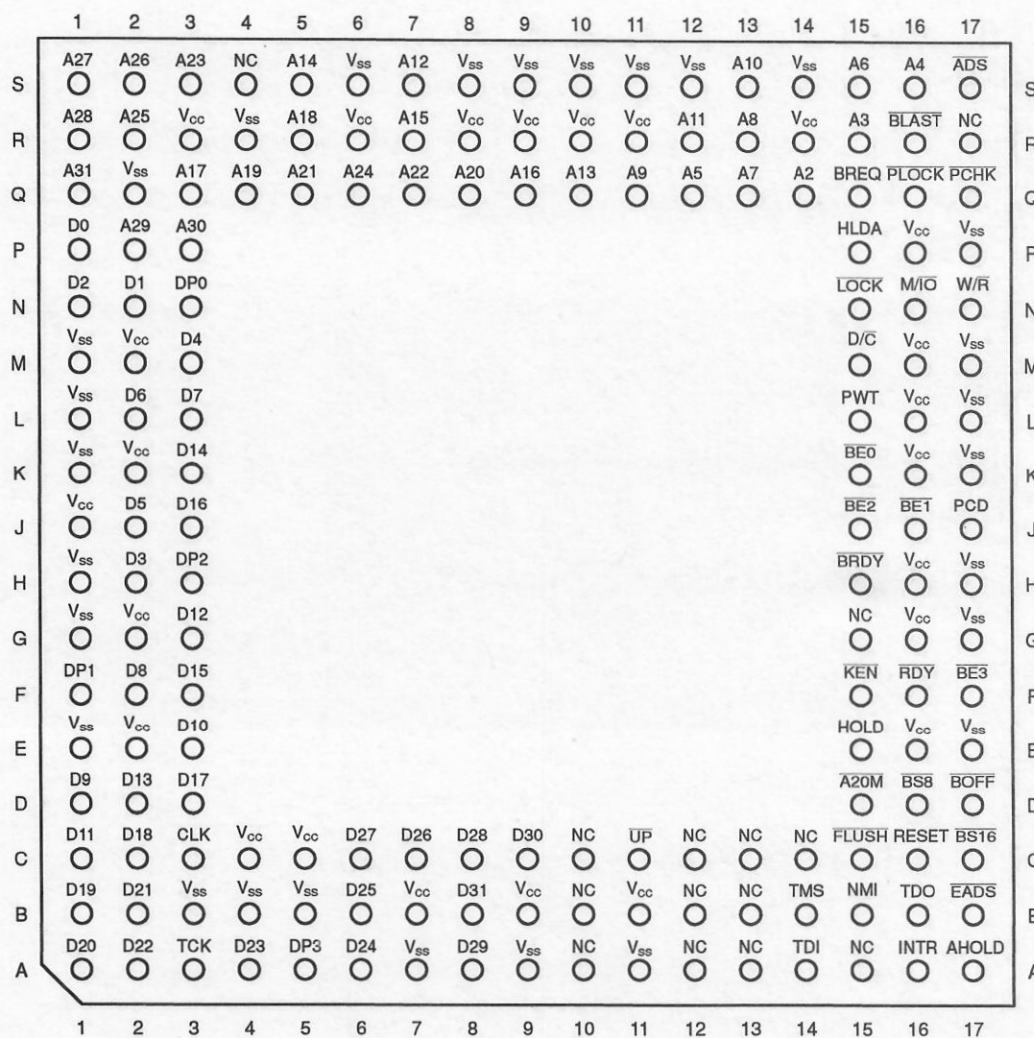
**Am486 CPU PIPELINED 32-BIT MICROARCHITECTURE
BLOCK DIAGRAM**



17815B-001

CONNECTION DIAGRAMS
Am486 CPU Pin Side View

168-Pin PGA (Pin Grid Array) Package

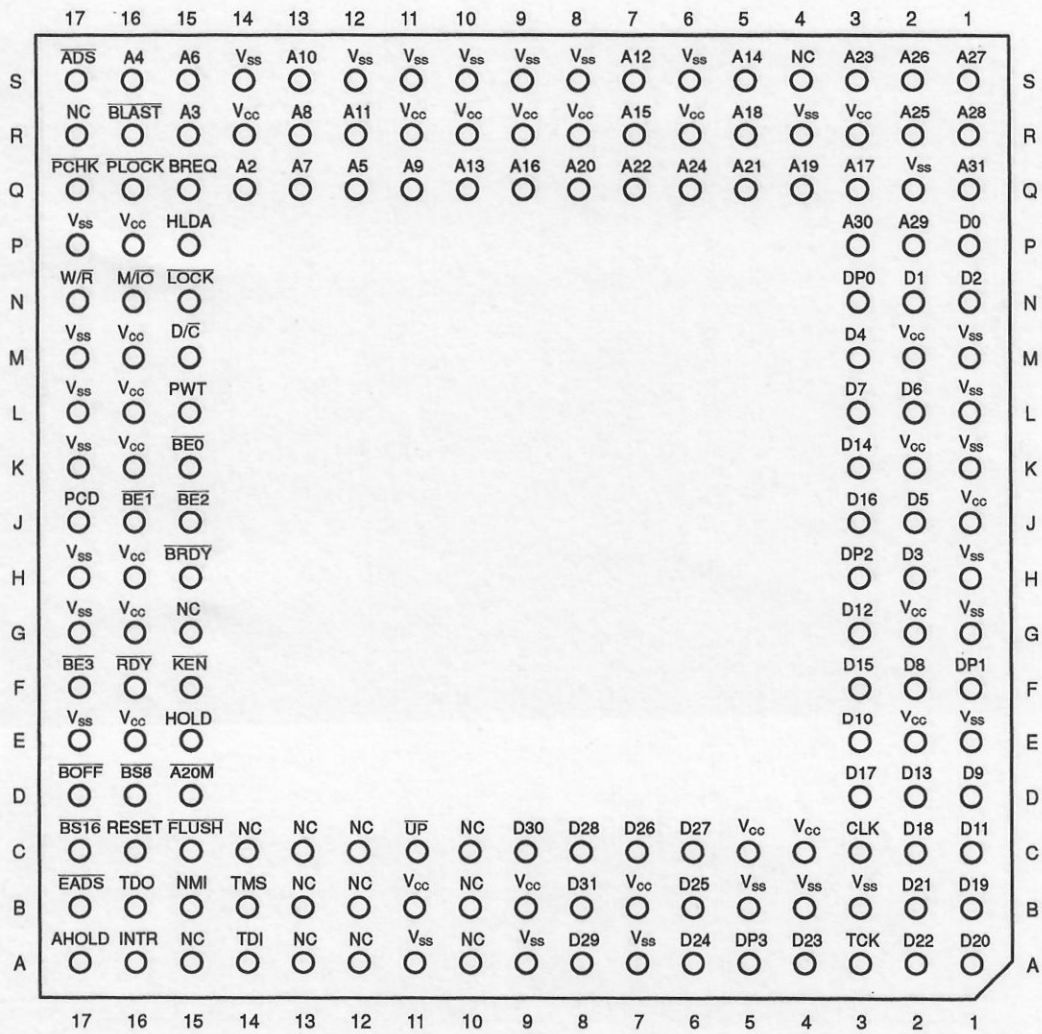


Note:
NC = Not connected. To guarantee functionality with future revisions, these pins must not be connected.

17852B-002

CONNECTION DIAGRAMS
Am486 CPU Top Side View

168-Pin PGA (Pin Grid Array) Package



Note:
NC = Not connected. To guarantee functionality with future revisions, these pins must not be connected.

17852B-003

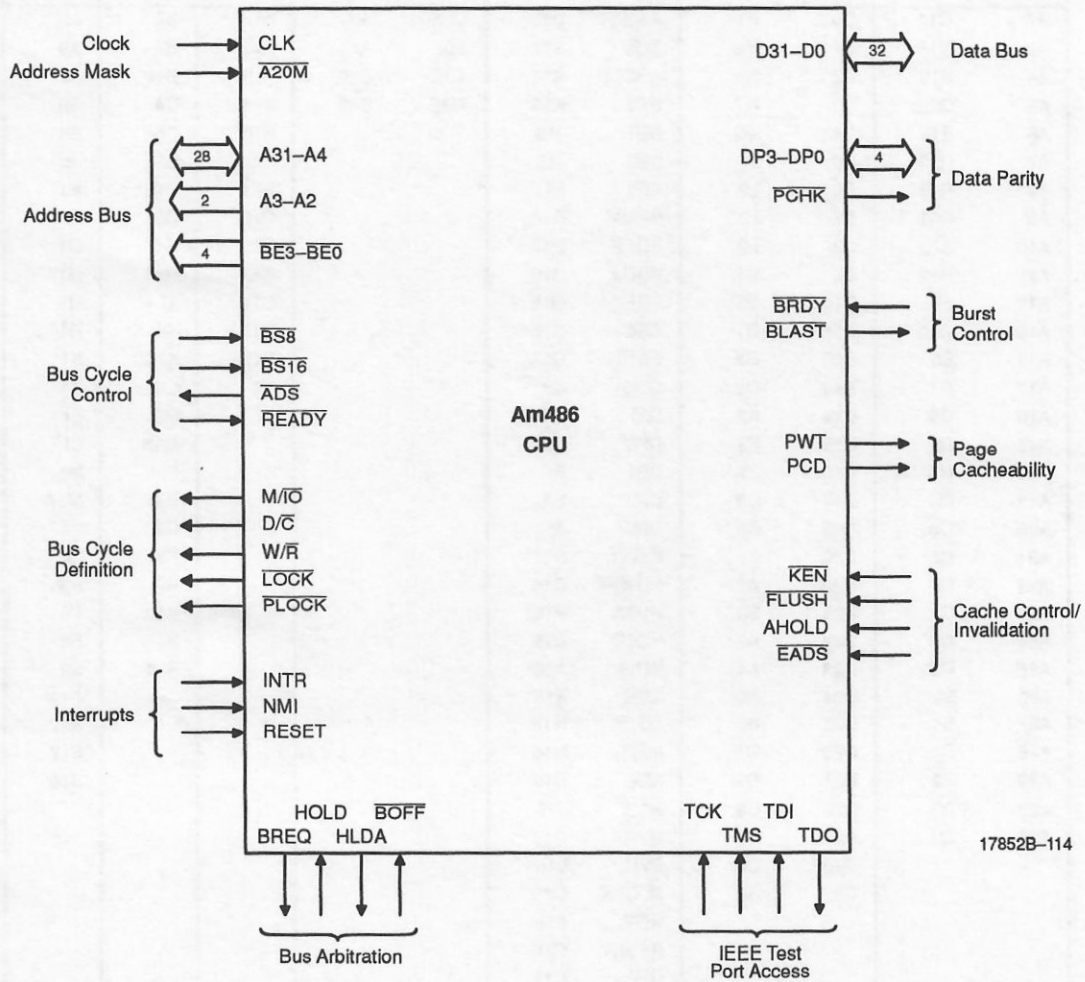
Am486SX2 CPU Pin Designations (Functional Grouping)

Address		Data		Control		Test		NC	V _{cc}	V _{ss}
Pin Name	Pin No.	Pin Name	Pin No.	Pin Name	Pin No.	Pin Name	Pin No.	Pin No.	Pin No.	Pin No.
A2	Q14	D0	P1	$\overline{A20M}$	D15	TCK	A3	A10	B7	A7
A3	R15	D1	N2	\overline{ADS}	S17	TDI	A14	A12	B9	A9
A4	S16	D2	N1	AHOLD	A17	TDO	B16	A13	B11	A11
A5	Q12	D3	H2	$\overline{BE0}$	K15	TMS	B14	A15	C4	B3
A6	S15	D4	M3	$\overline{BE1}$	J16			B10	C5	B4
A7	Q13	D5	J2	$\overline{BE2}$	J15			B12	E2	B5
A8	R13	D6	L2	$\overline{BE3}$	F17			B13	E16	E1
A9	Q11	D7	L3	\overline{BLAST}	R16			C10	G2	E17
A10	S13	D8	F2	\overline{BOFF}	D17			C12	G16	G1
A11	R12	D9	D1	\overline{BRDY}	H15			C13	H16	G17
A12	S7	D10	E3	BREQ	Q15			C14	J1	H1
A13	Q10	D11	C1	$\overline{BS8}$	D16			G15	K2	H17
A14	S5	D12	G3	$\overline{BS16}$	C17			R17	K16	K1
A15	R7	D13	D2	CLK	C3			S4	L16	K17
A16	Q9	D14	K3	D/C	M15				M2	L1
A17	Q3	D15	F3	DP0	N3				M16	L17
A18	R5	D16	J3	DP1	F1				P16	M1
A19	Q4	D17	D3	DP2	H3				R3	M17
A20	Q8	D18	C2	DP3	A5				R6	P17
A21	Q5	D19	B1	\overline{EADS}	B17				R8	Q2
A22	Q7	D20	A1	\overline{FLUSH}	C15				R9	R4
A23	S3	D21	B2	HLDA	P15				R10	S6
A24	Q6	D22	A2	HOLD	E15				R11	S8
A25	R2	D23	A4	INTR	A16				R14	S9
A26	S2	D24	A6	\overline{KEN}	F15					S10
A27	S1	D25	B6	\overline{LOCK}	N15					S11
A28	R1	D26	C7	$\overline{M/\overline{O}}$	N16					S12
A29	P2	D27	C6	NMI	B15					S14
A30	P3	D28	C8	PCD	J17					
A31	Q1	D29	A8	\overline{PCHK}	Q17					
		D30	C9	PWT	L15					
		D31	B8	\overline{PLOCK}	Q16					
				\overline{RDY}	F16					
				RESET	C16					
				$\overline{UF(1)}$	C11					
				W/R	N17					

Note:

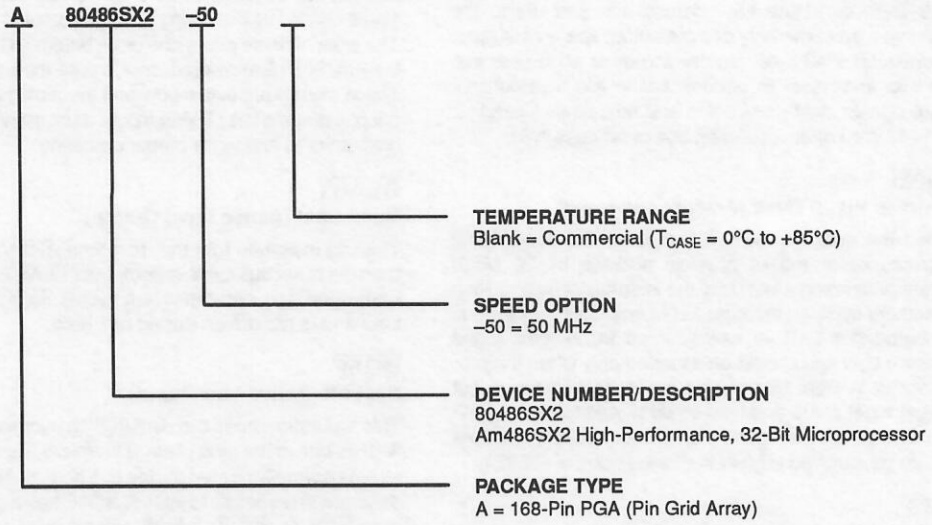
1. This pin is No-Connect on the Am486SX microprocessor. For compatibility with previous designs it can still be left unconnected.

LOGIC SYMBOL



ORDERING INFORMATION
Standard Products

AMD standard products are available in several packages and operating ranges. The order number (Valid Combination) is formed by a combination of the elements below.



Valid Combinations		
A	80486SX2	-50

Valid Combinations

Valid Combinations list configurations planned to be supported in volume for this device. Consult the local AMD sales office to confirm availability of specific valid combinations and to check on newly released combinations.

PIN DESCRIPTIONS

The following paragraphs define the pins (signals) of the Am486SX2 microprocessor.

A31–A4/A3–2

Address Lines (Inputs/Outputs)/(Outputs)

Pins A31–A2, together with the byte enable pins BE3–BE0, constitute the address bus and define the physical area of memory or input/output space accessed. Address lines A31–A4 are used to drive addresses into the microprocessor to perform cache line invalidations. Input signals must meet setup and hold times t_{22} and t_{23} . A31–A2 are not driven during bus or address hold.

A20M

Address Bit 20 Mask (Active Low; Input)

When the address mask is asserted, the Am486SX2 microprocessor masks physical address bit 20 (A20) before performing a lookup to the internal cache or driving a memory cycle on the bus. A20M emulates the address wraparound at 1 Mbyte, which occurs on the 8086. A20M is active Low and should be asserted only when the processor is in Real Mode. This pin is asynchronous but should meet setup and hold times t_{20} and t_{21} for recognition in any specific clock. For proper operation, A20M should be sampled High at the falling edge of RESET.

ADS

Address Status (Active Low; Output)

This pin is used to indicate that a valid bus cycle definition and address are available on the cycle definition lines and address bus. ADS is driven active in the same clock in which the addresses are driven. ADS is active Low and is not driven during bus hold.

AHOLD

Address Hold (Active High; Input)

An address hold request allows another bus master access to the Am486SX2 microprocessor's address bus for a cache invalidation cycle. The Am486SX2 microprocessor stops driving its address bus in the clock following AHOLD going active. Only the address bus is floated during address hold; the remainder of the bus remains active. AHOLD is active High and is provided with a small internal pull-down resistor. For proper operation, AHOLD must meet setup and hold times t_{18} and t_{19} .

BE3–BE0

Byte Enables (Active Low; Outputs)

The address bus byte-enable pins indicate active bytes during read and write cycles. During the first cycle of a cache fill, the external system should assume that all byte enables are active. BE3 applies to D31–D24, BE2 applies to D23–D16, BE1 applies to D15–D8, and BE0 applies to D7–D0. BE3–BE0 are active Low and are not driven during bus hold.

BS8/BS16

Bus Size 8 (Active Low; Input)/ Bus Size 16 (Active Low; Input)

The bus sizing pins cause the Am486SX2 microprocessor to run multiple bus cycles to complete a request from devices that cannot provide or accept 32 bits of data in a single cycle. The bus sizing pins are sampled every clock. The state of these pins in the clock before RDY is used by the Am486SX2 microprocessor to determine the bus size. These signals are active Low and are provided with internal pull-up resistors. These inputs must satisfy setup and hold times t_{14} and t_{15} for proper operation.

BLAST

Burst Last (Active Low; Output)

This pin indicates that the next time BRDY is returned then the burst bus cycle is complete. BLAST is active for both burst and non-burst bus cycles. BLAST is active Low and is not driven during bus hold.

BOFF

Backoff (Active Low; Input)

This input pin forces the Am486SX2 microprocessor to float its bus in the next clock. The microprocessor floats all pins normally floated during bus hold, but HLDA is not asserted in response to BOFF. BOFF has higher priority than RDY or BRDY; if both are returned in the same clock, BOFF takes effect. The microprocessor remains in bus hold until BOFF is negated. If a bus cycle is in progress when BOFF is asserted, the cycle is restarted. BOFF is active Low and must meet setup and hold times t_{18} and t_{19} for proper operation.

BRDY

Burst Ready Input (Active Low; Input)

The BRDY signal performs the same cycle during a burst cycle that RDY performs during a non-burst cycle. BRDY indicates that the external system has presented valid data in response to a read, or that the external system has accepted data in response to write. BRDY is ignored when the bus is idle and at the end of the first clock in a bus cycle.

BRDY is sampled in the second and subsequent clocks of a burst cycle. The data presented on the data bus is strobed into the microprocessor when BRDY is sampled active. If RDY is returned simultaneously with BRDY, BRDY is ignored and the burst cycle is prematurely aborted.

BRDY is active Low and is provided with a small pull-up resistor. BRDY must satisfy the setup and hold times t_{16} and t_{17} .

BREQ

Internal Cycle Pending (Output)

BREQ indicates that the Am486SX2 microprocessor has internally generated a bus request. BREQ is generated whether or not the Am486SX2 microprocessor is

driving the bus. $\overline{\text{BREQ}}$ is active High and is never floated, except during three-state test mode (see $\overline{\text{FLUSH}}$).

CLK

Clock (Input)

The CLK input provides the fundamental timing and the internal operating frequency for the Am486SX2 microprocessor. All external timing parameters are specified with respect to the rising edge of CLK.

D31–D0

Data Lines (Inputs/Outputs)

Lines D7–D0 define the least significant byte of the bus while lines D31–D24 define the most significant byte of the data bus. These signals must meet setup and hold times t_{22} and t_{23} for proper operation on reads. These pins are driven during the second and subsequent clocks of write cycles.

D/C

Data/Control (Output)

This bus cycle definition pin distinguishes data cycles, either memory or I/O, from control cycles. These control cycles are: interrupt acknowledge, halt, and instruction fetching.

DP3–DP0

Data Parity (Inputs/Outputs)

Data parity is generated on all write data cycles with the same timing as the data driven by the Am486SX2 microprocessor. Even parity information must be driven back into the microprocessor on the data parity pins with the same timing as read information; this ensures that the correct parity check status is indicated by the Am486SX2 microprocessor. The signals read on these pins do not affect program execution.

Input signals must meet setup and hold times t_{22} and t_{23} . DP3–DP0 should be connected to V_{CC} through a pull-up resistor in systems not using parity. DP3–DP0 are active High and are driven during the second and subsequent clocks of write cycles.

EADS

Valid External Address (Active Low; Input)

This address indicates a valid external address has been driven onto the Am486SX2 microprocessor address pins. This address is used to perform an internal cache invalidation cycle. $\overline{\text{EADS}}$ is active Low and is provided with an internal pull-up resistor. $\overline{\text{EADS}}$ must satisfy setup and hold times t_{12} and t_{13} for proper operation.

FLUSH

Cache Flush (Active Low; Input)

$\overline{\text{FLUSH}}$ forces the Am486SX2 microprocessor to flush its entire internal cache. This input pin is active Low and

need only be asserted for one clock. $\overline{\text{FLUSH}}$ is asynchronous but setup and hold times t_{20} and t_{21} must be met for recognition in any specific clock. $\overline{\text{FLUSH}}$ being sampled Low in the clock before the falling edge of RESET causes the Am486SX2 microprocessor to enter the three-state test mode.

HLDA

Hold Acknowledge (Output)

The HLDA signal is activated in response to a hold request presented on the HOLD pin. HLDA indicates that the Am486SX2 microprocessor has given the bus to another local bus master. HLDA is driven active in the same clock in which the Am486SX2 microprocessor floats its bus. HLDA is driven inactive when leaving bus hold. HLDA is active High and remains driven during bus hold. HLDA is never floated except during three-state test mode (see $\overline{\text{FLUSH}}$).

HOLD

Bus Hold Request (Input)

HOLD gives another bus master control of the Am486SX2 microprocessor bus. In response to HOLD going active, the Am486SX2 microprocessor floats most of its output and input/output pins. HLDA is asserted after completing the current bus cycle, burst cycle, or sequence of locked cycles. The Am486SX2 microprocessor remains in this state until HOLD is deasserted. HOLD is active High and is not provided with an internal pull-down resistor. HOLD must satisfy setup and hold times t_{18} and t_{19} for proper operation.

INTR

Maskable Interrupt (Input)

When asserted, this signal indicates that an external interrupt has been generated. If the internal interrupt flag is set in EFLAGS, active interrupt processing is initiated. The Am486SX2 microprocessor generates two locked interrupt acknowledge bus cycles in response to the INTR pin going active. INTR must remain active until the interrupt acknowledges have been performed to ensure that the interrupt is recognized. INTR is active High and is not provided with an internal pull-down resistor. INTR is asynchronous, but must meet setup and hold times t_{20} and t_{21} for recognition in any specific clock.

KEN

Cache Enable (Active Low; Input)

$\overline{\text{KEN}}$ is used to determine whether the current cycle is cacheable. When the Am486SX2 microprocessor generates a cacheable cycle and $\overline{\text{KEN}}$ is active one clock before $\overline{\text{RDY}}$ or $\overline{\text{BRDY}}$ during the first transfer of the cycle, the cycle becomes a cache line fill cycle. Returning $\overline{\text{KEN}}$ active one clock before $\overline{\text{RDY}}$ during the last read in the cache line fill causes the line to be placed in the on-chip cache. $\overline{\text{KEN}}$ is active Low and is provided

with a small internal pull-up resistor. \overline{KEN} must satisfy setup and hold times t_{14} and t_{15} for proper operation.

LOCK

Bus Lock (Active Low; Output)

This pin indicates that the current bus cycle is locked. The Am486SX2 microprocessor does not allow a bus hold when \overline{LOCK} is asserted (but address holds are allowed). \overline{LOCK} goes active in the first clock of the first locked bus cycle and goes inactive after the last clock of the last locked bus cycle. The last locked cycle ends when \overline{RDY} is returned. \overline{LOCK} is active Low and is not driven during bus hold. Locked read cycles will not be transformed into cache fill cycles if \overline{KEN} is returned active.

M/ \overline{IO}

Memory (Input/Output) (Output)

This bus cycle definition pin distinguishes memory cycles from input/output cycles.

NMI

Non-maskable Interrupt (Input)

The NMI request signal indicates that an external non-maskable interrupt has been generated. NMI is rising edge sensitive. NMI must be held Low for at least four CLK periods before this rising edge. NMI is not provided with an internal pull-down resistor. NMI is asynchronous, but must meet setup and hold times t_{20} and t_{21} for recognition in any specific clock.

PCD/PWT

Page Cache Disable/Page Write-Through (Outputs)

These pins reflect the state of the page attribute bits, PWT and PCD, in the page table entry or page directory entry. If paging is disabled or for unpagged cycles, PWT and PCD reflect the state of the PWT and PCD bits in Control Register 3. PWT and PCD have the same timing as the cycle definition pins (M/\overline{IO} , D/\overline{C} , and W/\overline{R}). PWT and PCD are active High and are not driven during bus hold. PCD is masked by the Cache Disable Bit (CD) in Control Register 0.

PCHK

Parity Status (Active Low; Output)

Parity status is driven on the \overline{PCHK} pin the clock after \overline{RDY} for read operations. The parity status is for data sampled at the end of the previous clock. A parity error is indicated by \overline{PCHK} being Low. Parity status is only checked for enabled bytes as indicated by the byte enable and bus size signals. \overline{PCHK} is valid only in the clock immediately after read data is returned to the microprocessor; at all other times \overline{PCHK} is inactive High. \overline{PCHK} is never floated, except during three-state test mode (see \overline{FLUSH}).

PLOCK

Pseudo-Lock (Active Low; Output)

\overline{PLOCK} indicates that the current bus transaction requires more than one bus cycle to complete. Examples of such operations are segment table descriptor reads (64 bits) and cache line fills (128 bits). The Am486SX2 microprocessor drives \overline{PLOCK} active until the addresses for the last bus cycle of the transaction have been driven, regardless of whether \overline{RDY} or \overline{BRDY} have been returned.

\overline{PLOCK} is a function of the $\overline{BS8}$, $\overline{BS16}$, and \overline{KEN} inputs. \overline{PLOCK} should be sampled on the clock \overline{RDY} is returned. \overline{PLOCK} is active Low and is not driven during bus hold.

RESET

Reset (Active High; Input)

RESET forces the Am486SX2 microprocessor to begin execution at a known state. The microprocessor cannot begin execution of instructions until at least 1 ms after V_{CC} and CLK have reached their proper DC and AC specifications. The RESET pin should remain active during this time to ensure proper microprocessor operation. RESET is active High. RESET is asynchronous but must meet setup and hold times t_{20} and t_{21} for recognition in a specific clock.

RDY

Non-Burst Ready (Active Low; Input)

This pin indicates that the current bus cycle is complete. \overline{RDY} indicates that the external system has presented valid data on the data pins in response to a read, or that the external system has accepted data from the Am486SX2 microprocessor in response to a write. \overline{RDY} is ignored when the bus is idle and at the end of the bus cycle's first clock.

\overline{RDY} is active during address hold. Data can be returned to the processor while AHOLD is active.

\overline{RDY} is active Low and is not provided with an internal pull-up resistor. \overline{RDY} must satisfy setup and hold times t_{16} and t_{17} for proper chip operation.

TCK

Test Clock (Input)

Test Clock is an input to the Am486 CPU and provides the clocking function required by the JTAG boundary scan feature. TCK is used to clock state information and data into and out of the component. State select information and data are clocked into the component on the rising edge of TCK on TMS and TDI, respectively. Data is clocked out of the component on the falling edge of TCK on TDO.

TDI

Test Data Input (Input)

TDI is the serial input used to shift JTAG instructions and data into the component. TDI is sampled on the rising edge of TCK during the SHIFT-IR and the SHIFT-DR TAP (Tap Access Port) controller states. During all other TAP controller states, TDI is a "don't care."

TDO

Test Data Output (Output)

TDO is the serial output used to shift JTAG instructions and data out of the component. TDO is driven on the falling edge of TCK during the SHIFT-IR and SHIFT-DR TAP controller states. At all other times, TDO is driven to the high impedance state.

TMS

Test Mode Select (Input)

TMS is decoded by the JTAG TAP to select the operation of the test logic. TMS is sampled on the rising edge of TCK. To guarantee deterministic behavior of the TAP controller, TMS is provided with an internal pull-up resistor.

W/R

Write/Read (Output)

A bus cycle definition pin, W/R distinguishes write cycles from read cycles.

UP

Upgrade Present (Input)

The Upgrade Present pin forces the Am486SX2 CPU to three-state all its outputs and enter the power-down mode. When the Upgrade Present pin is sampled asserted by the CPU in the clock before the falling edge of RESET, the power-down mode is enabled. UP has no effect on the power-down status except during this edge. The CPU is also forced to three-state all of its outputs immediately in response to this signal. The UP signal must remain asserted in order to keep the pins three-stated. UP is active Low and is provided with an internal pull-up resistor.

Table 1. Output Pins

Name	Active Level	Floated At
BREQ	High	
HLDA	High	
BE3-BE0	Low	Bus Hold
PCD/PWT	High	Bus Hold
W/R, D/C, M/I \bar{O}	High	Bus Hold
LOCK	Low	Bus Hold
PLOCK	Low	Bus Hold
ADS	Low	Bus Hold
BLAST	Low	Bus Hold
PCHK	Low	
A3-A2	High	Bus, Address Hold

Table 2. Input Pins

Name	Active Level	Synchronous/Asynchronous
CLK		
RESET	High	Asynchronous
HOLD	High	Synchronous
AHOLD	High	Synchronous
EADS	Low	Synchronous
BOFF	Low	Synchronous
FLUSH	Low	Asynchronous
A20M	Low	Asynchronous
BS16, BS8	Low	Synchronous
KEN	Low	Synchronous
RDY	Low	Synchronous
BRDY	Low	Synchronous
INTR	High	Asynchronous
NMI	High	Asynchronous
UP	Low	Asynchronous

Table 3. Input/Output Pins

Name	Active Level	Floated At
D31-D0	High	Bus Hold
DP3-DP0	High	Bus Hold
A31-A4	High	Bus, Address Hold

Table 4. Bus Cycle Definition

M/I \bar{O}	D/C	W/R	Bus Cycle Initiated
0	0	0	Interrupt Acknowledge
0	0	1	Halt/Special Cycle
0	1	0	I/O Read
0	1	1	I/O Write
1	0	0	Code Read
1	0	1	Reserved
1	1	0	Memory Read
1	1	1	Memory Write

Table 5. Test Pins

Name	Input or Output	Sampled/Driven On
TCK	Input	N/A
TDI	Input	Rising Edge of TCK
TDO	Output	Falling Edge of TCK
TMS	Input	Rising Edge of TCK

CPU IDENTIFICATION CODES

The DX register always contains a component identification at the conclusion of RESET. The upper byte of DX (DH) will contain 04 and the lower byte of DX (DL) will contain a CPU type/stepping identifier.

Table 6. CPU ID

Component ID (DH)	Component ID (DL)
04	22

Table 7. JTAG ID Code

Version Code	Part Number Code	Manufacturer Identity
00h	0422	01

ARCHITECTURAL OVERVIEW

The Am486SX2 microprocessor is a 32-bit architecture with on-chip memory management and cache memory units. It is a fully compatible member of the Am486 family.

The Am486SX2 microprocessor contains all the features of the 386 microprocessor with enhancements to increase performance. The instruction set includes the complete 386 microprocessor instruction set along with extensions to serve new applications. The on-chip Memory Management Unit (MMU) is completely compatible with the 386 MMU. All software written for the 386 microprocessor and previous members of the x86 architectural family can run on the Am486SX2 microprocessor without any modifications.

Several enhancements have been added to the Am486SX2 microprocessor to increase performance. On-chip cache memory allows frequently used data and code to be stored on-chip, thereby reducing accesses to the external bus. RISC design techniques have been used to reduce instruction cycle times. A burst bus feature enables fast cache fills. All of these features combined lead to performance greater than twice that of a 386 microprocessor.

The Am486 microprocessor MMU consists of a segmentation unit and a paging unit. Segmentation allows management of the logical address space by providing easy data and code relocatability and efficient sharing of global resources. The paging mechanism operates beneath segmentation and is transparent to the segmentation process. Paging is optional and can be disabled by system software. Each segment can be divided into one or more 4-Kbyte segments. To implement a virtual memory system, the Am486SX2 microprocessor supports full restartability for all page and segment faults.

Memory is organized into one or more variable length segments, each up to 4 Gbyte (2^{32} bytes) in size. A segment can have attributes associated with it. These attributes include its location, size, type (i.e., stack, code, or data), and protection characteristics. Each task on an Am486SX2 microprocessor can have a maximum of 16,381 segments, each up to 4 Gbyte in size. Thus, each task has a maximum of 64 Tbyte (terabytes) of virtual memory.

The segmentation unit provides four levels of protection for isolating and protecting applications and the operating system from each other. The hardware enforced protection allows high integrity system designs.

The Am486SX2 microprocessor has two modes of operation: Real Address Mode (Real Mode) and Virtual Address Mode (Protected Mode). In Real Mode, the Am486SX2 microprocessor operates as a very fast 8086. Real Mode is required primarily to set up the processor for Protected Mode operation. Protected Mode provides access to the sophisticated memory management paging and privilege capabilities of the processor.

Within Protected Mode, software can perform a task switch to enter into tasks designated as Virtual 8086 Mode tasks. Each Virtual 8086 task behaves with 8086 semantics, allowing 8086 software (an application program or an entire operating system) to execute.

The on-chip cache is 8 Kbyte. It is four-way set associative and follows a write-through policy. The on-chip cache includes features that provide flexibility in external memory system design. Individual pages can be designated as cacheable or non-cacheable by software or hardware. The cache can also be enabled and disabled by software or hardware.

Finally, the Am486SX2 microprocessor has features that facilitate high-performance hardware designs. The 2X clock doubler improves execution performance without increasing the board design complexity. This 2X clock doubler enhances all operations operating out of the cache and/or not blocked by external bus accesses. The burst bus feature enables fast cache fills.

ELECTRICAL DATA

The following sections describe recommended electrical connections for the Am486SX2 microprocessor and its electrical specifications.

Power and Grounding

Power Connections

The Am486SX2 microprocessor is implemented in CS14 technology and has modest power requirements. However, its high clock frequency output buffers can cause power surges as multiple output buffers drive new signal levels simultaneously. For clean, on-chip power distribution at high frequency, 24 V_{CC} and 28 V_{SS} pins feed the Am486SX2 microprocessor.

Power and ground connections must be made to all external V_{CC} and GND pins of the Am486SX2 microprocessor. On the circuit board, all V_{CC} pins must be connected on a V_{CC} plane. All V_{SS} pins must likewise be connected on a GND plane.

Power Decoupling Recommendations

Liberal decoupling capacitance should be placed near the Am486SX2 microprocessor. The Am486SX2 microprocessor, driving its 32-bit parallel address and data

buses at high frequencies, can cause transient power surges, particularly when driving large capacitive loads.

Low inductance capacitors and interconnects are recommended for best high-frequency electrical performance. Inductance can be reduced by shortening circuit board traces between the Am486SX2 microprocessor, and decoupling capacitors as much as possible. Capacitors specifically for PGA packages are also commercially available.

Other Connection Recommendations

NC pins should always remain unconnected.

For reliable operation, always connect unused inputs to an appropriate signal level. Active Low inputs should be connected to V_{CC} through a pull-up resistor. Pull-ups in the range of 20 $K\Omega$ are recommended. Active High inputs should be connected to GND.

ABSOLUTE MAXIMUM RATINGS

Case Temperature under Bias -65°C to +110°C
 Storage Temperature -65°C to +150°C
 Voltage on any pin
 with respect to ground -0.5 V to $V_{CC} + 0.5$ V
 Supply voltage with
 respect to V_{SS} -0.5 V to +6.5 V

Stresses above those listed under Absolute Maximum Ratings may cause permanent device failure. Functionality at or above these limits is not implied. Exposure to Absolute Maximum Ratings for extended periods may affect device reliability.

OPERATING RANGES
Commercial (C) Devices

T_{CASE} -0°C to +85°C
 V_{CC} 5 V $\pm 5\%$

Operating ranges define those limits between which the functionality of the device is guaranteed.

DC CHARACTERISTICS over COMMERCIAL operating ranges

$V_{CC} = 5$ V $\pm 5\%$; $T_{CASE} = 0^\circ\text{C}$ to +85°C

Symbol	Parameter	Min	Max	Unit	Notes
V_{IL}	Input Low Voltage	-0.3	+0.8	V	
V_{IH}	Input High Voltage	2.0	$V_{CC} + 0.3$	V	
V_{OL}	Output Low Voltage		0.45	V	Note 1
V_{OH}	Output High Voltage	2.4		V	Note 2
I_{CC}	Power Supply Current-(50 MHz)		900	mA	Note 3
I_{CCF}	Power Supply Current in Power Down Mode		50	mA	Note 8
I_{LI}	Input Leakage Current		+15	μA	Note 4
I_{IH}	Input Leakage Current		200	μA	Note 5
I_{IL}	Input Leakage Current		-400	μA	Note 6
I_{LO}	Output Leakage Current		± 15	μA	
C_{IN}	Input Capacitance		13	pF	$F_C = 1$ MHz (Note 7)
C_O	I/O or Output Capacitance-(50 MHz)		17	pF	$F_C = 1$ MHz (Note 7)
C_{CLK}	CLK Capacitance		15	pF	$F_C = 1$ MHz (Note 7)

Notes:

- This parameter is measured at:
 Address, Data, \overline{BEn} 4.0 mA
 Definition, Control 5.0 mA
- This parameter is measured at:
 Address, Data, \overline{BEn} -1.0 mA
 Definition, Control -0.9 mA
- Typical supply current
 775 mA @ 50 MHz
- This parameter is for inputs without internal pull-ups or pull-downs and $0 \leq V_{IN} \leq V_{CC}$.
- This parameter is for inputs with internal pull-downs and $V_{IH} = 2.4$ V.
- This parameter is for inputs with internal pull-ups and $V_{IL} = 0.45$ V.
- Not 100% tested.
- The I_{CCF} specification in the above table is a target value. It has not been tested.

SWITCHING CHARACTERISTICS over COMMERCIAL operating ranges

The AC specifications, provided in the AC characteristics table, consist of output delays, input setup requirements, and input hold requirements. All AC specifications are relative to the rising edge of the CLK signal.

AC specifications measurement is defined by Figure 3. All timings are referenced to 1.5 V unless otherwise specified. Inputs must be driven to the voltage levels indicated by Figure 2 when AC specifications are

measured. Am486SX2 microprocessor output delays are specified with minimum and maximum limits. The minimum Am486SX2 microprocessor delay times are hold times provided to external circuitry. Am486SX2 microprocessor input setup and hold times are specified as minimums, defining the smallest acceptable sampling window. Within the sampling window, a synchronous input signal must be stable for correct Am486SX2 microprocessor operation.

SWITCHING CHARACTERISTICS at 50 MHz
 $V_{CC} = 5\text{ V} \pm 5\%$; $T_{CASE} = 0^{\circ}\text{C to } +85^{\circ}$; $C_L = 50\text{ pF}$ unless otherwise specified.

Symbol	Parameter	Min	Max	Unit	Figure	Notes
	Frequency	8	25	MHz		1X Clock Driven to Am486 CPU
t_1	CLK Period	40	125	ns	Figure 1	
t_{1a}	CLK Period Stability		0.1%	Δ		Adjacent Clocks
t_2	CLK High Time	14		ns	Figure 1	at 2 V
t_3	CLK Low Time	14		ns	Figure 1	at 0.8 V
t_4	CLK Fall Time		4	ns	Figure 1	2 V to 0.8 V
t_5	CLK Rise Time		4	ns	Figure 1	0.8 V to 2 V
t_6	A31-A2, PWT, PCD, $\overline{BE3}$ - $\overline{BE0}$, M/ \overline{IO} , D/ \overline{C} , W/ \overline{R} , ADS, LOCK, BREQ, HLDA Valid Delay	3	19	ns	Figure 5	
t_7	A31-A2, PWT, PCD, $\overline{BE3}$ - $\overline{BE0}$, M/ \overline{IO} , D/ \overline{C} , W/ \overline{R} , ADS, LOCK Float Delay		28	ns	Figure 6	Note 1
t_8	PCHK Valid Delay	3	24	ns	Figure 4	
t_{8a}	BLAST, PLOCK Valid Delay	3	24	ns	Figure 5	
t_9	BLAST, PLOCK Float Delay		28	ns	Figure 6	Note 1
t_{10}	D31-D0, DP3-DP0 Write Data Valid Delay	3	20	ns	Figure 5	
t_{11}	D31-D0, DP3-DP0 Write Data Float Delay		28	ns	Figure 6	Note 1
t_{12}	EADS Setup Time	8		ns	Figure 2	
t_{13}	EADS Hold Time	3		ns	Figure 2	
t_{14}	\overline{KEN} , BS16, BS8 Setup Time	8		ns	Figure 2	
t_{15}	\overline{KEN} , BS16, BS8 Hold Time	3		ns	Figure 2	
t_{16}	RDY, BRDY Setup Time	8		ns	Figure 3	
t_{17}	RDY, BRDY Hold Time	3		ns	Figure 3	
t_{18}	HOLD, AHOLD Setup Time	8		ns	Figure 2	
t_{18a}	\overline{BOFF} Setup Time	8		ns	Figure 2	
t_{19}	HOLD, AHOLD, \overline{BOFF} Hold Time	3		ns	Figure 2	
t_{20}	RESET, FLUSH, A20M, NMI, INTR Setup Time	8		ns	Figure 2	
t_{21}	RESET, FLUSH, A20M, NMI, INTR Hold Time	3		ns	Figure 2	
t_{22}	D31-D0, DP3-DP0, A31-A4 Read Setup Time	5		ns	Figure 2, Figure 3	
t_{23}	D31-D0, DP3-DP0, A31-A4 Read Setup Time	3		ns	Figure 2, Figure 3	

Note:

1. Not 100% tested. Guaranteed by design characterization.

Am486SX2 Microprocessor AC Characteristics for Boundary Scan Test Signals at 25 MHz

V_{CC} = 5 V ±5%; T_{CASE} = 0°C to +85°C; C_L = 0 pF. All inputs and outputs are TTL Level.

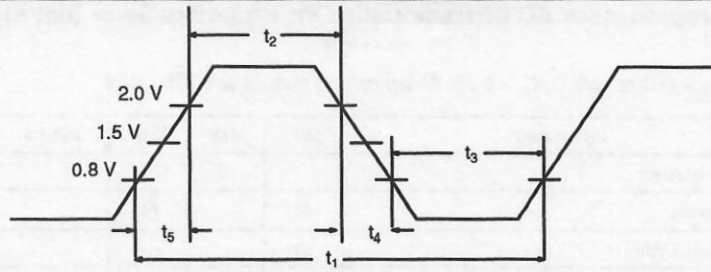
Symbol	Parameter	Min	Max	Unit	Figure	Notes
t ₂₄	TCK Frequency		25	MHz		1X Clock
t ₂₅	TCK Period	40		ns		Note 2
t ₂₆	TCK High Time	10		ns		at 2.0 V
t ₂₇	TCK Low Time	10		ns		at 0.8 V
t ₂₈	TCK Rise Time		4	ns		Note 1
t ₂₉	TCK Fall Time		4	ns		Note 1
t ₃₀	TDI, TMS Setup Time	8		ns	Figure 7	Note 3
t ₃₁	TDI, TMS Hold Time	7		ns	Figure 7	Note 3
t ₃₂	TDO Valid Delay	3	25	ns	Figure 7	Note 3
t ₃₃	TDO Float Delay		36	ns	Figure 7	Note 3
t ₃₄	All Outputs (Non-Test) Valid Delay	3	25	ns	Figure 7	Note 3
t ₃₅	All Outputs (Non-Test) Float Delay		36	ns	Figure 7	Note 3
t ₃₆	All Inputs (Non-Test) Setup Time	8		ns	Figure 7	Note 3
t ₃₇	All Inputs (Non-Test) Hold Time	7		ns	Figure 7	Note 3

- Notes:** 1. Rise/Fall times are measured between 0.8 V and 2.0 V. Rise/Fall times can be relaxed by 1 ns per 10-ns increase in TCK period.
 2. TCK period ≥ CLK period.
 3. Parameter measured from TCK.

KEY TO SWITCHING WAVEFORMS

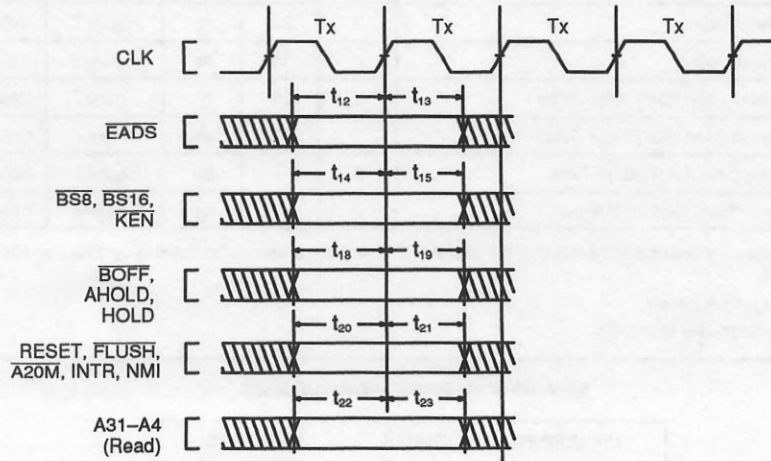
WAVEFORM	INPUTS	OUTPUTS
	Must be Steady	Will be Steady
	May Change from H to L	Will be Changing from H to L
	May Change from L to H	Will be Changing from L to H
	Don't Care, Any Change Permitted	Changing, State Unknown
	Does Not Apply	Center Line is High-Impedance "Off" State

KS000010



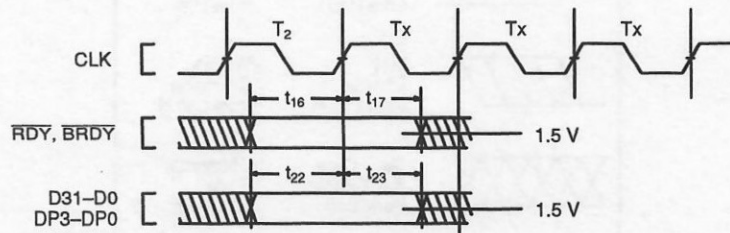
17852B-095

Figure 1. CLK Waveforms



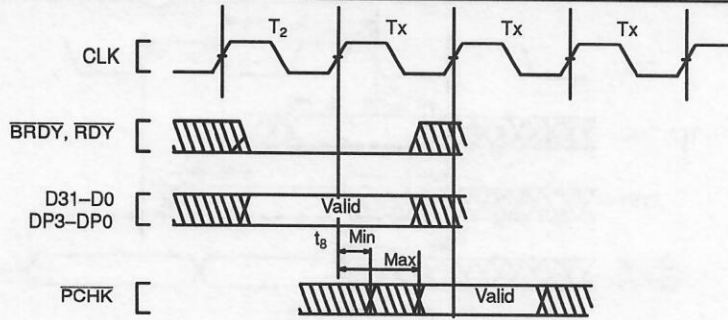
17852B-099

Figure 2. Input Setup and Hold Timing



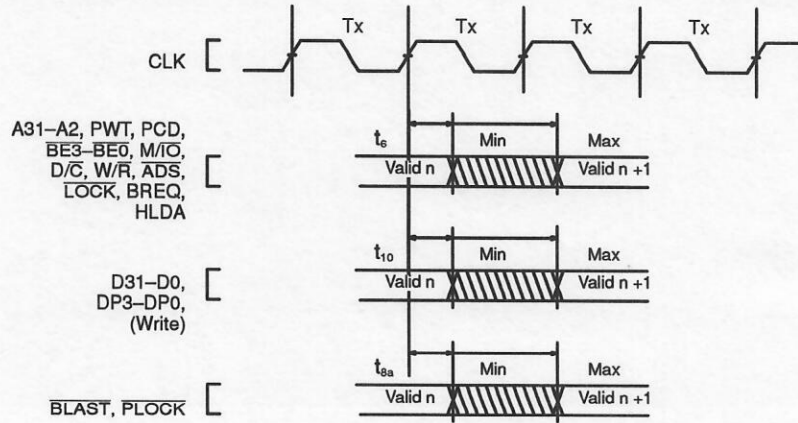
17852B-100

Figure 3. \overline{RDY} and \overline{BRDY} Input Setup and Hold Timing



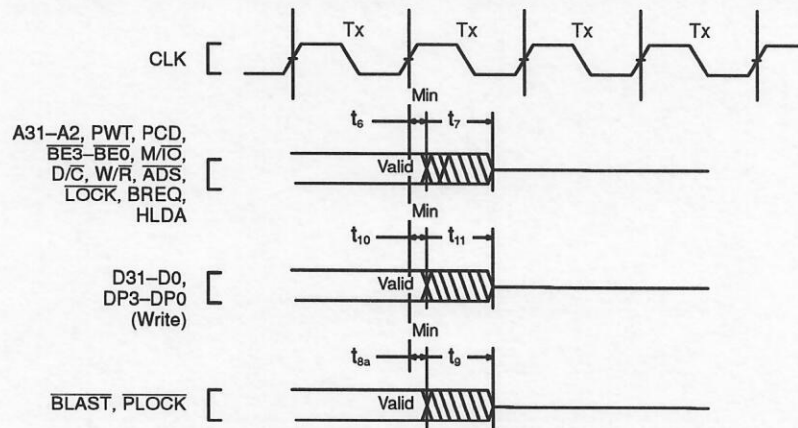
17852B-101

Figure 4. PCHK Valid Delay Timing



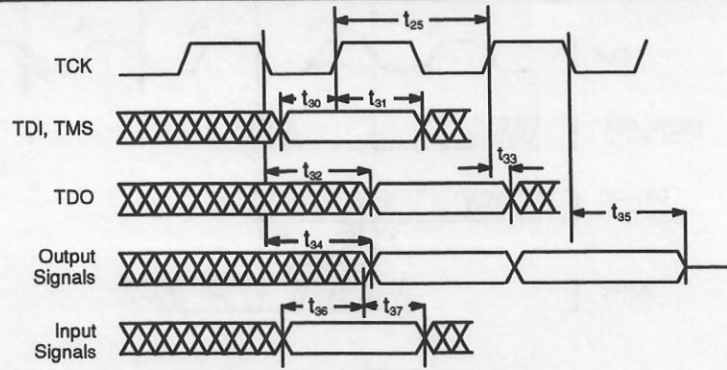
17852B-102

Figure 5. Output Valid Delay Timing



17852B-103

Figure 6. Maximum Float Delay Timing



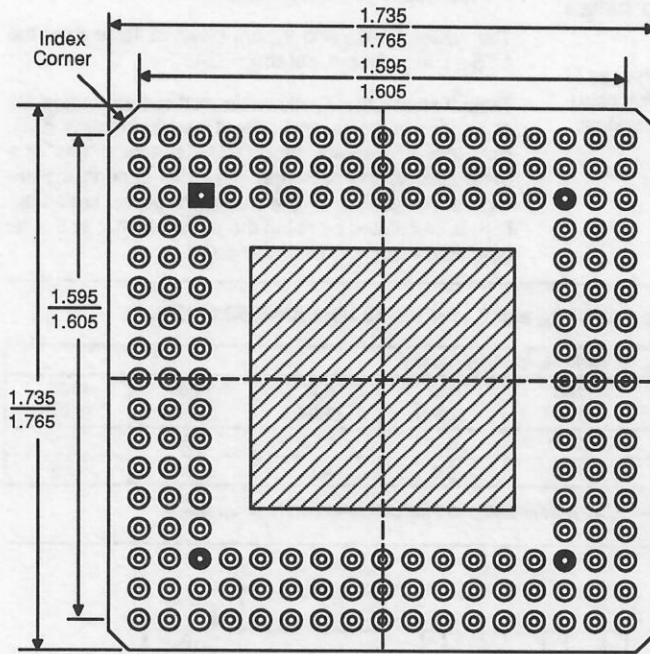
17852B-104

Figure 7. Test Signal Timing Diagram

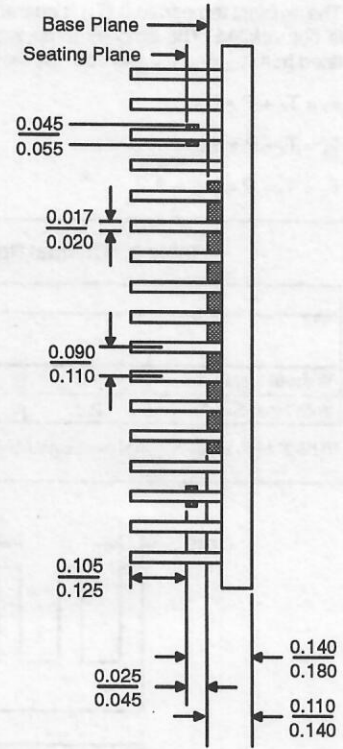
PHYSICAL DIMENSIONS

For reference only. All dimensions are measured in inches. BSC is an ANSI standard for Basic Space Centering.

CGM 168



Bottom View (Pins Facing Up)



Side View

16734C

5/11/93 MH

Package Thermal Specifications

The Am486SX2 microprocessor is specified for operation when T_c (the case temperature) is within the range of 0°C to +85°C. T_c can be measured in any environment to determine whether the Am486SX2 microprocessor is within specified operating range. The case temperature should be measured at the center of the top surface opposite the pins.

The ambient temperature (T_A) is guaranteed as long as T_c is not violated. The ambient temperature can be calculated from θ_{JC} and θ_{JA} and from the following equations:

$$T_J = T_C + P \cdot \theta_{JC}$$

$$T_A = T_J - P \cdot \theta_{JA}$$

$$T_C = T_A + P \cdot [\theta_{JA} - \theta_{JC}]$$

where:

T_J, T_A, T_C = Junction, Ambient, and Case Temperature.

θ_{JC}, θ_{JA} = Junction-to-Case and Junction-to-Ambient Thermal Resistance, respectively.

P = Maximum Power Consumption

The values for θ_{JA} and θ_{JC} are given in Table 8 for the 1.75 sq. in., 168-pin, ceramic PGA.

Table 9 shows the T_A allowable (without exceeding T_c) at various airflows and operating frequencies (f_{CLK}). Note that T_A is greatly improved by attaching "fins" or a "heat sink" to the package. Heat sink dimensions are shown in Figure 8. P (the maximum power consumption) is calculated by using the maximum I_{CC} at 5 V as tabulated in the *DC Characteristics*.

Table 8. Thermal Resistance (°C/W) θ_{JC} and θ_{JA} for the 50-MHz Am486SX2 CPU

	θ_{JC}	θ_{JA} vs. Airflow-ft/min. (m/sec)					
		0 (0)	200 (1.01)	400 (2.03)	600 (3.04)	800 (4.06)	1000 (5.07)
Without Heat Sink	1.5	16.5	14.0	12.0	10.5	9.5	9.0
With Heat Sink*	2.0	12.0	7.0	5.0	4.0	3.5	3.25

*0.350" high unidirectional heat sink (Al alloy 6063-T5, 40 mil fin width, 155 mil center-to-center fin spacing).

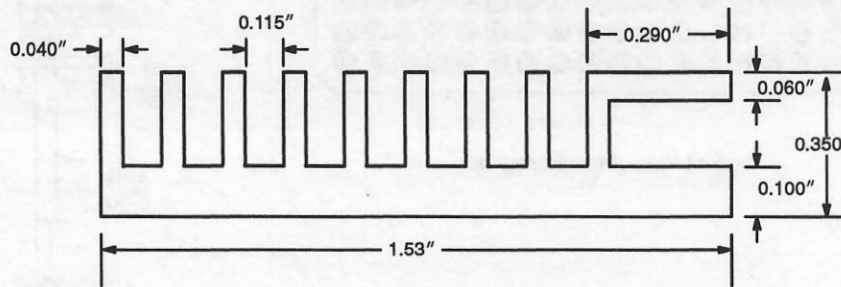


Figure 8. Heat Sink Dimensions

17852B-113

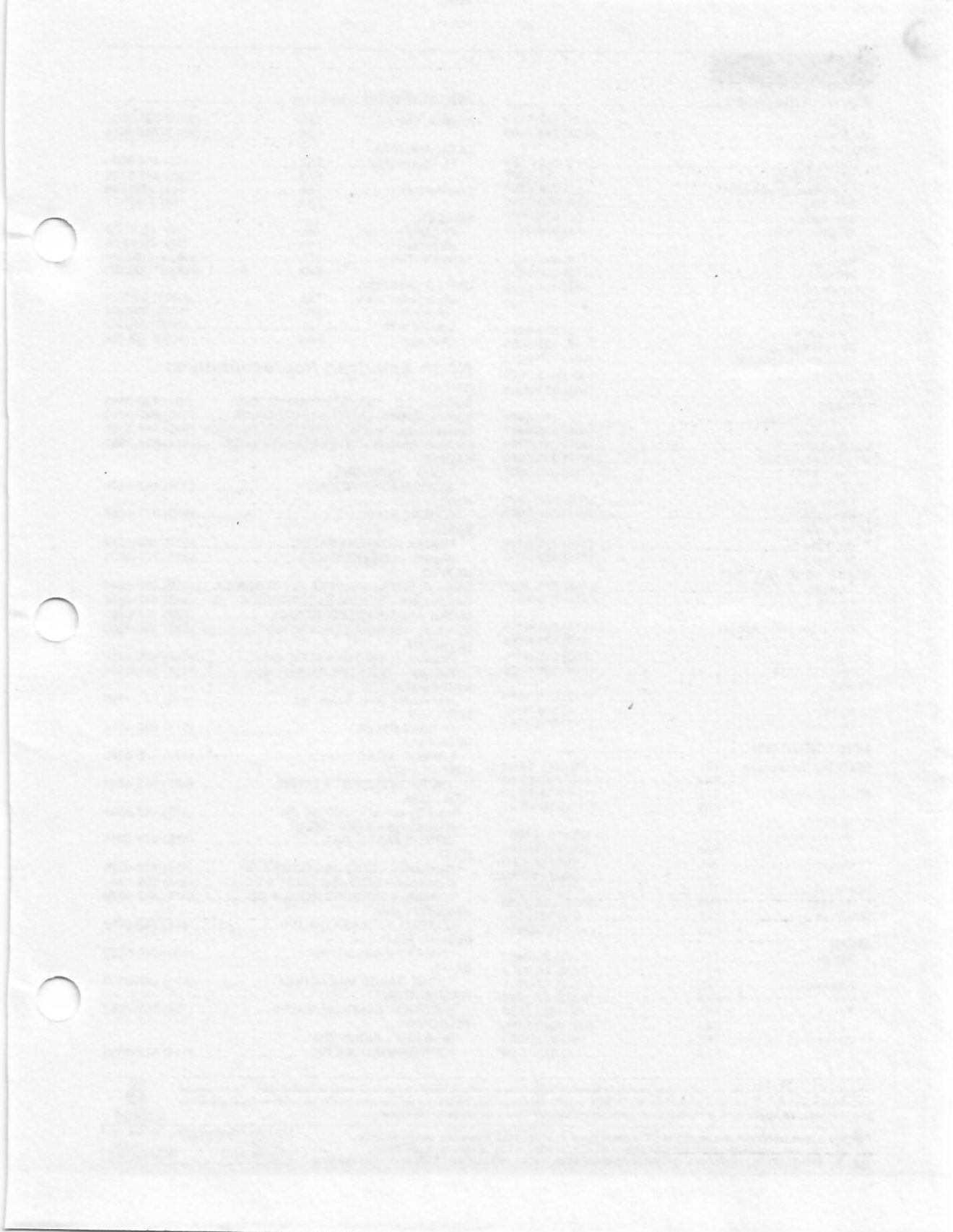
Table 9. Maximum T_A at Various Airflows in °C

	f_{CLK} (MHz)	Airflow-ft/min. (m/sec)					
		0 (0)	200 (1.01)	400 (2.03)	500 (3.04)	800 (4.06)	1000 (5.07)
T_A with Heat Sink	50	35	60	70	75	77.5	78.75
T_A without Heat Sink	50	10	22.5	32.5	40	45	47.5

AMD and Am386 are registered trademarks of Advanced Micro Devices, Inc. Am486 is a trademark of Advanced Micro Devices, Inc.

Windows and Windows NT are trademarks of Microsoft Corp.

Product names used in this publication are for identification purposes only and may be trademarks of their respective companies.



North American

ALABAMA	(205) 882-9122
ARIZONA	(602) 242-4400
CALIFORNIA,		
Culver City	(310) 645-1524
Newport Beach	(714) 752-6262
Sacramento(Roseville)	(916) 786-6700
San Diego	(619) 560-7030
San Jose	(408) 922-0500
Woodland Hills	(818) 878-9988
CANADA, Ontario,		
Kanata	(613) 592-0060
Willowdale	(416) 222-7800
COLORADO	(303) 741-2900
CONNECTICUT	(203) 264-7800
FLORIDA,		
Clearwater	(813) 530-9971
Boca Raton	(407) 361-0050
Orlando (Longwood)	(407) 862-9292
GEORGIA	(404) 449-7920
IDAHO	(208) 377-0393
ILLINOIS,		
Chicago (Itasca)	(708) 773-4422
Naperville	(708) 505-9517
MARYLAND	(301) 381-3790
MASSACHUSETTS	(617) 273-3970
MINNESOTA	(612) 938-0001
NEW JERSEY,		
Cherry Hill	(609) 662-2900
Parsippany	(201) 299-0002
NEW YORK,		
Brewster	(914) 279-8323
Rochester	(716) 425-8050
NORTH CAROLINA		
Charlotte	(704) 875-3091
Raleigh	(919) 878-8111
OHIO,		
Columbus (Westerville)	(614) 891-6455
Dayton	(513) 439-0268
OREGON	(503) 245-0080
PENNSYLVANIA	(215) 398-8006
TEXAS,		
Austin	(512) 346-7830
Dallas	(214) 934-9099
Houston	(713) 376-8084

International

BELGIUM, Antwerpen TEL	(03) 248 43 00
	FAX	(03) 248 46 42
FRANCE, Paris TEL	(1) 49-75-10-10
	FAX	(1) 49-75-10-13
GERMANY,			
Bad Homburg TEL	(06172)-24061
	FAX	(06172)-23195
München TEL	(089) 45053-0
	FAX	(089) 406490
HONG KONG,			
Wanchai TEL	(852) 865-4525
	FAX	(852) 865-4335
ITALY, Milano TEL	(02) 3390541
	FAX	(02) 38103458
JAPAN,			
Atsugi TEL	(0462) 29-8460
	FAX	(0462) 29-8458
Kanagawa TEL	(0462) 47-2911
	FAX	(0462) 47-1729
Tokyo TEL	(03) 3346-7550
	FAX	(03) 3342-5196
Osaka TEL	(06) 243-3250
	FAX	(06) 243-3253

International (Continued)

KOREA, Seoul TEL	(82) 2-784-0030
	FAX	(82) 2-784-8014
LATIN AMERICA,			
Ft. Lauderdale TEL	(305) 484-8600
	FAX	(305) 485-9736
SINGAPORE TEL	(65) 3481188
	FAX	(65) 3480161
SWEDEN,			
Stockholm area TEL	(08) 98 61 80
(Bromma) FAX	(08) 98 09 06
TAIWAN, Taipei TEL	(886) 2-7153536
	FAX	(886) 2-7122183
UNITED KINGDOM,			
Manchester area TEL	(0925) 830380
(Warrington) FAX	(0925) 830204
London area TEL	(0483) 740440
(Woking) FAX	(0483) 756196

North American Representatives

CANADA			
Burnaby, B.C. - DAVETEK MARKETING	(604) 430-3680	
Kanata, Ontario - VITEL ELECTRONICS	(613) 592-0060	
Mississauga, Ontario - VITEL ELECTRONICS	(905) 564-9720	
Lachine, Quebec - VITEL ELECTRONICS	(514) 636-5951	
ILLINOIS			
Skokie - INDUSTRIAL REPRESENTATIVES, INC	(708) 967-8430	
IOWA			
LORENZ SALES	(319) 377-4666	
KANSAS			
Merriam - LORENZ SALES	(913) 469-1312	
Wichita - LORENZ SALES	(316) 721-0500	
MEXICO			
Chula Vista (CA) - SONIKA ELECTRONICA	(619) 498-8340	
Guadalajara - SONIKA ELECTRONICA	(523) 647-4250	
Mexico - SONIKA ELECTRONICA	(523) 754-6480	
Monterey - SONIKA ELECTRONICA	(523) 358-9280	
MICHIGAN			
Holland - COM-TEK SALES, INC	(616) 335-8418	
Brighton - COM-TEK SALES, INC	(313) 227-0007	
MINNESOTA			
Mel Foster Tech. Sales, Inc.	(612) 941-9790	
MISSOURI			
LORENZ SALES	(314) 997-4558	
NEBRASKA			
LORENZ SALES	(402) 475-4660	
NEW MEXICO			
THORSON DESERT STATES	(505) 883-4343	
NEW YORK			
East Syracuse - NYCOM, INC	(315) 437-8343	
Hauppauge - COMPONENT CONSULTANTS, INC	(516) 273-5050	
OHIO			
Centerville - DOLFUSS ROOT & CO	(513) 433-6776	
Columbus - DOLFUSS ROOT & CO	(614) 885-4844	
Westlake - DOLFUSS ROOT & CO	(216) 899-9370	
PENNSYLVANIA			
RUSSELL F. CLARK CO., INC.	(412) 242-9500	
PUERTO RICO			
COMP REP ASSOC, INC	(809) 746-6550	
UTAH			
FRONT RANGE MARKETING	(801) 288-2500	
WASHINGTON			
ELECTRA TECHNICAL SALES	(206) 821-7442	
WISCONSIN			
Brookfield - INDUSTRIAL REPRESENTATIVES, INC	(414) 574-9393	

Advanced Micro Devices reserves the right to make changes in its product without notice in order to improve design or performance characteristics. The performance characteristics listed in this document are guaranteed by specific tests, guard banding, design and other practices common to the industry. For specific testing details, contact your local AMD sales representative. The company assumes no responsibility for the use of any circuits described herein.



RECYCLED &
RECYCLABLE



Advanced Micro Devices, Inc. 901 Thompson Place, P.O. Box 3453, Sunnyvale, CA 94088, USA
Tel: (408) 732-2400 • TWX: 910-339-9280 • TELEX: 34-6306 • TOLL FREE: (800) 538-8450
APPLICATIONS HOTLINE & LITERATURE ORDERING • TOLL FREE: (800) 222-9323 • (408) 749-5703

© 1994 Advanced Micro Devices, Inc.
178155 11/29/93
Con-6M-2/94-0 Printed in USA