

# 74F240, 74F244

## Octal Buffers/Line Drivers with 3-STATE Outputs

### Features

- 3-STATE outputs drive bus lines or buffer memory address registers
- Outputs sink 64mA (48mA mil)
- 12mA source current
- Input clamp diodes limit high-speed termination effects

### General Description

The 74F240 and 74F244 are octal buffers and line drivers designed to be employed as memory and address drivers, clock drivers and bus-oriented transmitters/receivers which provide improved PC and board density.

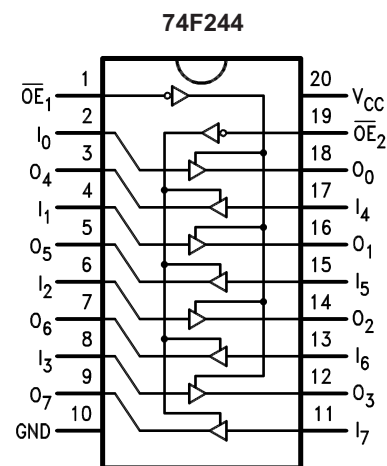
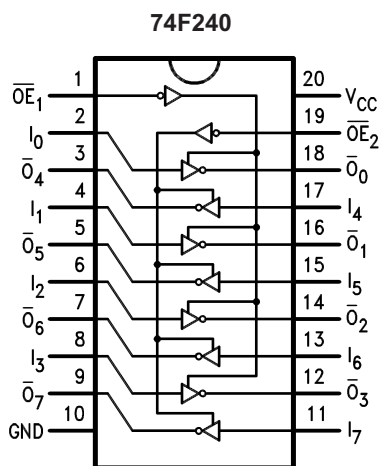
### Ordering Information

Order Code	Package Number	Package Description
74F240SC <sup>(1)</sup>	M20B	20-Lead Small Outline Integrated Circuit (SOIC), JEDEC MS-013, 0.300" Wide
74F240SJ <sup>(1)</sup>	M20D	20-Lead Small Outline Package (SOP), EIAJ TYPE II, 5.3mm Wide
74F240PC	N20A	20-Lead Plastic Dual-In-Line Package (PDIP), JEDEC MS-001, 0.300" Wide
74F244SC <sup>(1)</sup>	M20B	20-Lead Small Outline Integrated Circuit (SOIC), JEDEC MS-013, 0.300" Wide
74F244SJ <sup>(1)</sup>	M20D	20-Lead Small Outline Package (SOP), EIAJ TYPE II, 5.3mm Wide
74F244MSA <sup>(1)</sup>	MSA20	20-Lead Shrink Small Outline Package (SSOP), JEDEC MO-150, 5.3mm Wide
74F244PC	N20A	20-Lead Plastic Dual-In-Line Package (PDIP), JEDEC MS-001, 0.300" Wide

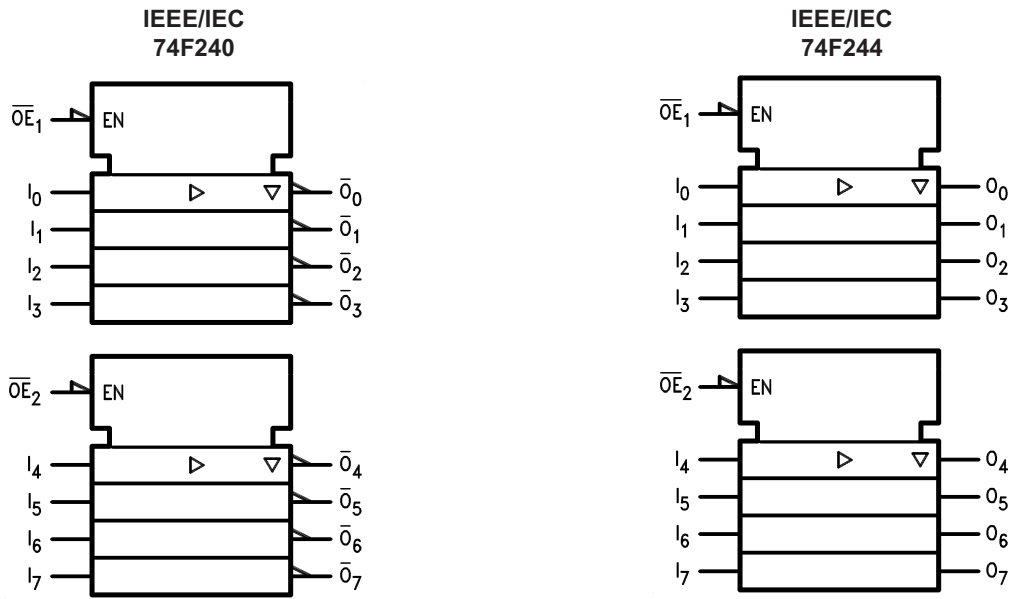
#### Note:

1. Devices also available in Tape and Reel. Specify by appending the suffix letter "X" to the ordering number.

### Connection Diagrams



## Logic Symbols



## Unit Loading/Fan Out

Pin Names	Description	U.L. HIGH/LOW	Input $I_{IH} / I_{IL}$ , Output $I_{OH} / I_{OL}$
$\overline{OE}_1, \overline{OE}_2$	3-STATE Output Enable Input (Active LOW)	1.0 / 1.667	20 $\mu$ A / -1mA
$OE_2$	3-STATE Output Enable Input (Active HIGH)	1.0 / 1.667	20 $\mu$ A / -1mA
$I_0$ - $I_7$	Inputs (74F240)	1.0 / 1.667 <sup>(2)</sup>	20 $\mu$ A / -1mA
$I_0$ - $I_7$	Inputs (74F244)	1.0 / 2.667 <sup>(2)</sup>	20 $\mu$ A / -1.6mA
$\overline{O}_0$ - $\overline{O}_7, O_0$ - $O_7$	Outputs	600 / 106.6 (80)	-12mA / 64mA (48mA)

### Note:

2. Worst-case 74F240 enabled; 74F244 disabled.

## Truth Tables

### 74F240

$\overline{OE}_1$	$D_{1n}$	$O_{1n}$	$\overline{OE}_2$	$D_{2n}$	$O_{2n}$
H	X	Z	H	X	Z
L	H	L	L	H	L
L	L	H	L	L	H

### 74F244

$\overline{OE}_1$	$D_{1n}$	$O_{1n}$	$\overline{OE}_2$	$D_{2n}$	$O_{2n}$
H	X	Z	H	X	Z
L	H	H	L	H	H
L	L	L	L	L	L

H = HIGH Voltage Level

L = LOW Voltage Level

X = Immaterial

Z = High Impedance

## Absolute Maximum Ratings

Stresses exceeding the absolute maximum ratings may damage the device. The device may not function or be operable above the recommended operating conditions and stressing the parts to these levels is not recommended. In addition, extended exposure to stresses above the recommended operating conditions may affect device reliability. The absolute maximum ratings are stress ratings only.

Symbol	Parameter	Rating
$T_{STG}$	Storage Temperature	-65°C to +150°C
$T_A$	Ambient Temperature Under Bias	-55°C to +125°C
$T_J$	Junction Temperature Under Bias	-55°C to +150°C
$V_{CC}$	$V_{CC}$ Pin Potential to Ground Pin	-0.5V to +7.0V
$V_{IN}$	Input Voltage <sup>(3)</sup>	-0.5V to +7.0V
$I_{IN}$	Input Current <sup>(3)</sup>	-30mA to +5.0mA
$V_O$	Voltage Applied to Output in HIGH State (with $V_{CC} = 0V$ )	
	Standard Output	-0.5V to $V_{CC}$
	3-STATE Output	-0.5V to 5.5V
	Current Applied to Output in LOW State (Max.)	twice the rated $I_{OL}$ (mA)
	ESD Last Passing Voltage (Min.)	4000V

**Note:**

3. Either voltage limit or current limit is sufficient to protect inputs.

## Recommended Operating Conditions

The Recommended Operating Conditions table defines the conditions for actual device operation. Recommended operating conditions are specified to ensure optimal performance to the datasheet specifications. Fairchild does not recommend exceeding them or designing to absolute maximum ratings.

Symbol	Parameter	Rating
$T_A$	Free Air Ambient Temperature	0°C to +70°C
$V_{CC}$	Supply Voltage	+4.5V to +5.5V

## DC Electrical Characteristics

Symbol	Parameter	V <sub>CC</sub>	Conditions	Min.	Typ.	Max.	Units
V <sub>IH</sub>	Input HIGH Voltage		Recognized as a HIGH Signal	2.0			V
V <sub>IL</sub>	Input LOW Voltage		Recognized as a LOW Signal			0.8	V
V <sub>CD</sub>	Input Clamp Diode Voltage	Min.	I <sub>IN</sub> = -18mA			-1.2	V
V <sub>OH</sub>	Output HIGH Voltage	10% V <sub>CC</sub>	Min. I <sub>OH</sub> = -3mA	2.4			V
		10% V <sub>CC</sub>		I <sub>OH</sub> = -15mA	2.0		
		5% V <sub>CC</sub>		I <sub>OH</sub> = -3mA	2.7		
V <sub>OL</sub>	Output LOW Voltage	10% V <sub>CC</sub>	Min. I <sub>OL</sub> = 64mA			0.55	V
I <sub>IH</sub>	Input HIGH Current	Max.	V <sub>IN</sub> = 2.7V			5.0	μA
I <sub>BVI</sub>	Input HIGH Current Breakdown Test	Max.	V <sub>IN</sub> = 7.0V			7.0	μA
I <sub>CEX</sub>	Output HIGH Leakage Current	Max.	V <sub>OUT</sub> = V <sub>CC</sub>			50	μA
V <sub>ID</sub>	Input Leakage Test	0.0	I <sub>ID</sub> = 1.9μA	4.75			V
			All Other Pins Grounded				
I <sub>OD</sub>	Output Leakage Circuit Current	0.0	V <sub>IOD</sub> = 150mV			3.75	μA
			All Other Pins Grounded				
I <sub>IL</sub>	Input LOW Current	Max.	V <sub>IN</sub> = 0.5V ( $\overline{OE}_1, \overline{OE}_2, OE_2, D_n$ (74F240))			-1.0	mA
			V <sub>IN</sub> = 0.5V ( $D_n$ (74F244))			-1.6	
I <sub>OZH</sub>	Output Leakage Current	Max.	V <sub>OUT</sub> = 2.7V			50	μA
I <sub>OZL</sub>	Output Leakage Current	Max.	V <sub>OUT</sub> = 0.5V			-50	μA
I <sub>OS</sub>	Output Short-Circuit Current	Max.	V <sub>OUT</sub> = 0V	-100		-225	mA
I <sub>ZZ</sub>	Bus Drainage Test	0.0V	V <sub>OUT</sub> = 5.25V			500	μA
I <sub>CCH</sub>	Power Supply Current (74F240)	Max.	V <sub>O</sub> = HIGH		19	29	mA
I <sub>CCL</sub>	Power Supply Current (74F240)	Max.	V <sub>O</sub> = LOW		50	75	mA
I <sub>CCZ</sub>	Power Supply Current (74F240)	Max.	V <sub>O</sub> = HIGH Z		42	63	mA
I <sub>CCH</sub>	Power Supply Current (74F244)	Max.	V <sub>O</sub> = HIGH		40	60	mA
I <sub>CCL</sub>	Power Supply Current (74F244)	Max.	V <sub>O</sub> = LOW		60	90	mA
I <sub>CCZ</sub>	Power Supply Current (74F244)	Max.	V <sub>O</sub> = HIGH Z		60	90	mA

## AC Electrical Characteristics

Symbol	Parameter	$T_A = +25^\circ\text{C}$ , $V_{CC} = +5.0\text{V}$ , $C_L = 50\text{pF}$			$T_A = -55^\circ\text{C to } +125^\circ\text{C}$ , $V_{CC} = 5.0\text{V}$ , $C_L = 50\text{pF}$		$T_A = 0^\circ\text{C to } +70^\circ\text{C}$ , $V_{CC} = 5.0\text{V}$ , $C_L = 50\text{pF}$		Units
		Min.	Typ.	Max.	Min.	Max.	Min.	Max.	
$t_{PLH}$ , $t_{PHL}$	Propagation Delay Data to Output (74F240)	3.0	5.1	7.0	3.0	9.0	3.0	8.0	ns
		2.0	3.5	4.7	2.0	6.0	2.0	5.7	
$t_{PZH}$ , $t_{PZL}$	Output Enable Time (74F240)	2.0	3.5	4.7	2.0	6.5	2.0	5.7	ns
		4.0	6.9	9.0	4.0	10.5	4.0	10.0	
$t_{PHZ}$ , $t_{PLZ}$	Output Disable Time (74F240)	2.0	4.0	5.3	2.0	6.5	2.0	6.3	ns
		2.0	6.0	8.0	2.0	12.5	2.0	9.5	
$t_{PLH}$ , $t_{PHL}$	Propagation Delay, Data to Output (74F244)	2.5	4.0	5.2	2.0	6.5	2.5	6.2	ns
		2.5	4.0	5.2	2.0	7.0	2.5	6.5	
$t_{PZH}$ , $t_{PZL}$	Output Enable Time (74F244)	2.0	4.3	5.7	2.0	7.0	2.0	6.7	ns
		2.0	5.4	7.0	2.0	8.5	2.0	8.0	
$t_{PHZ}$ , $t_{PLZ}$	Output Disable Time (74F244)	2.0	4.5	6.0	2.0	7.0	2.0	7.0	ns
		2.0	4.5	6.0	2.0	7.5	2.0	7.0	

## Physical Dimensions

Dimensions are in inches (millimeters) unless otherwise noted.

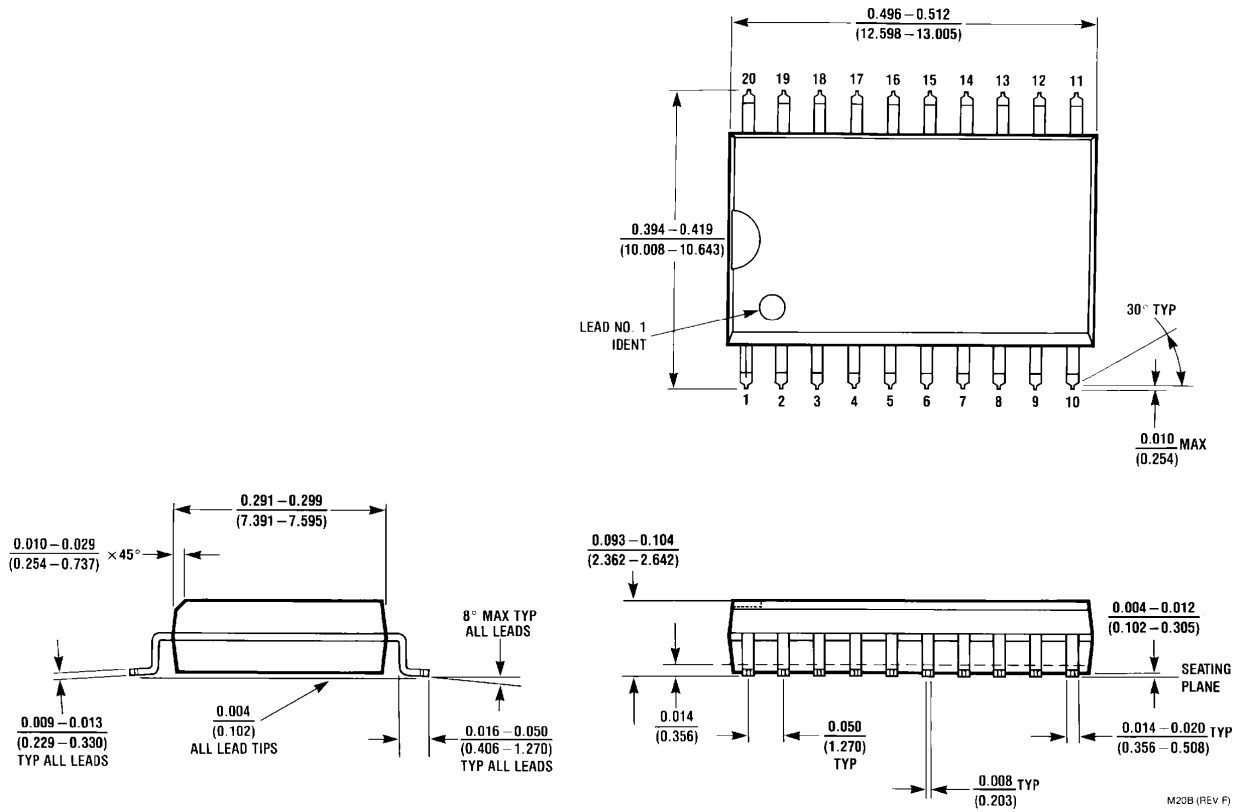
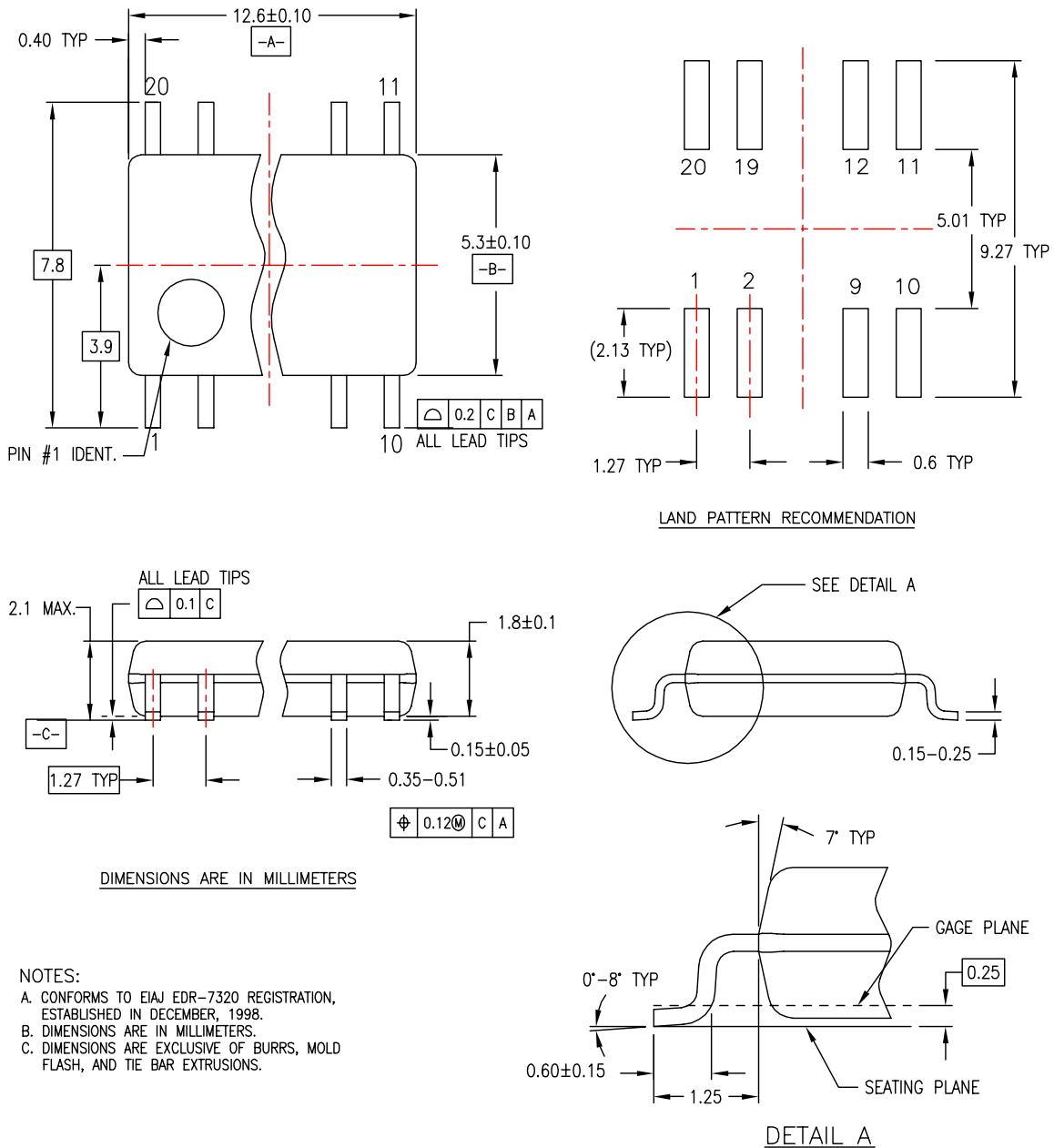


Figure 1. 20-Lead Small Outline Integrated Circuit (SOIC), JEDEC MS-013, 0.300" Wide  
Package Number M20B

**Physical Dimensions** (Continued)

Dimensions are in millimeters unless otherwise noted.

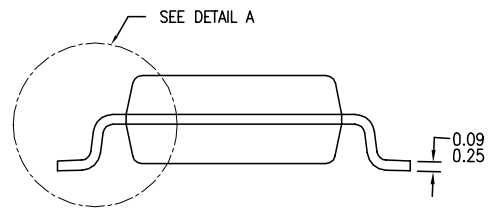
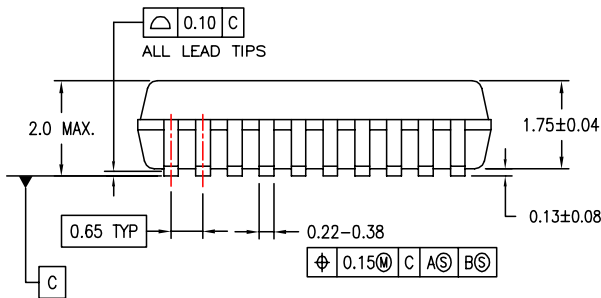
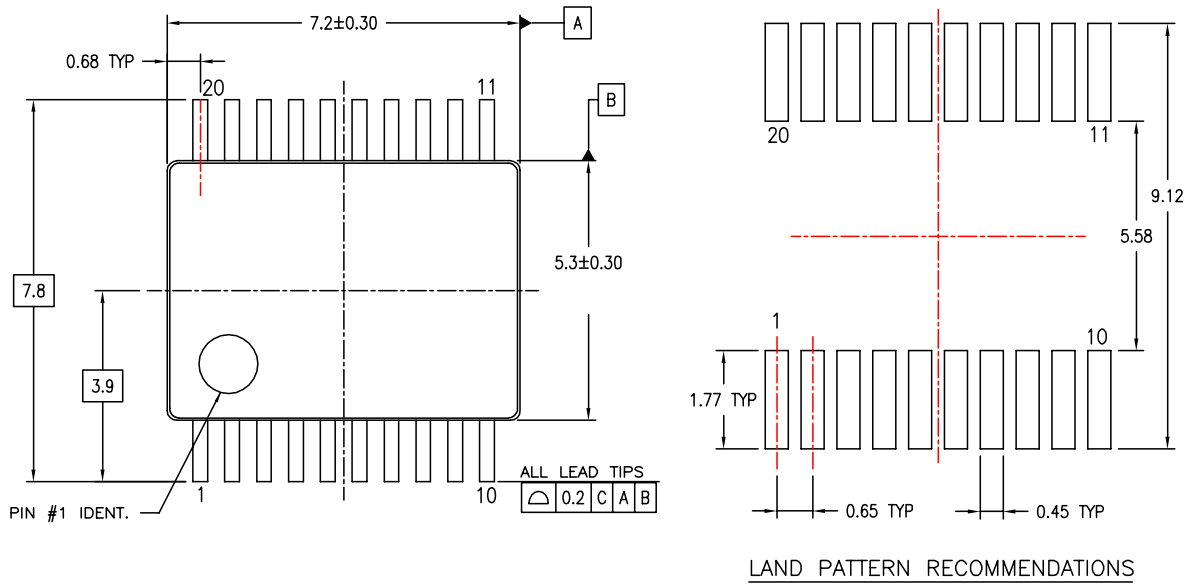


M20DREV C

**Figure 2. 20-Lead Small Outline Package (SOP), EIAJ TYPE II, 5.3mm Wide Package Number M20D**

### Physical Dimensions (Continued)

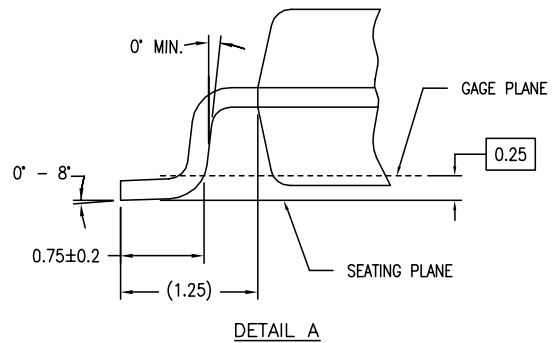
Dimensions are in millimeters unless otherwise noted.



DIMENSIONS ARE IN MILLIMETERS

NOTES:

- A. CONFORMS TO JEDEC REGISTRATION MO-150, VARIATION AE, DATE 1/94.
- B. DIMENSIONS ARE IN MILLIMETERS.
- C. DIMENSIONS ARE EXCLUSIVE OF BURRS, MOLD FLASH, AND TIE BAR EXTRUSIONS.
- D. DIMENSIONS AND TOLERANCES PER ASME Y14.5M - 1994.



MSA20REVB

Figure 3. 20-Lead Shrink Small Outline Package (SSOP), JEDEC MO-150, 5.3mm Wide Package Number MSA20



### Physical Dimensions (Continued)

Dimensions are in inches (millimeters) unless otherwise noted.

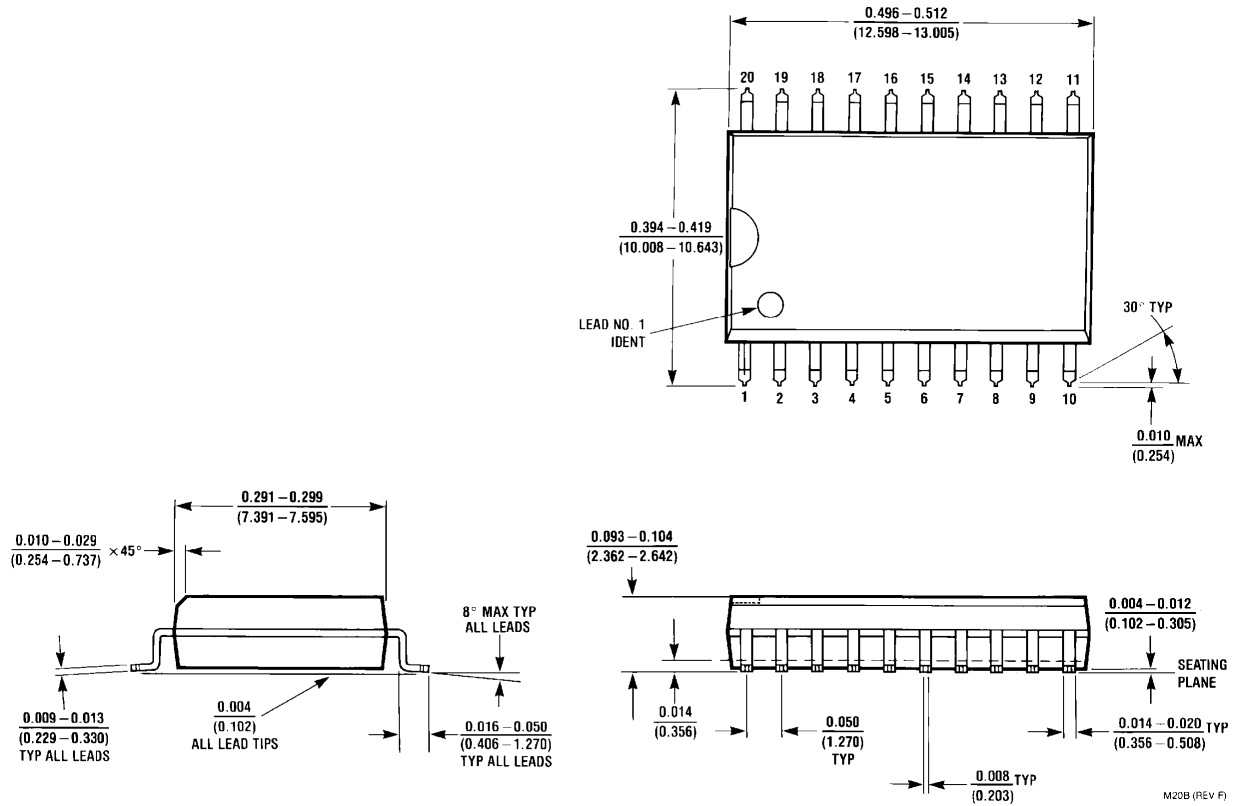



Figure 4. 20-Lead Plastic Dual-In-Line Package (PDIP), JEDEC MS-001, 0.300" Wide Package Number N20A



## TRADEMARKS

The following are registered and unregistered trademarks Fairchild Semiconductor owns or is authorized to use and is not intended to be an exhaustive list of all such trademarks.

ACE <sup>x</sup>	<i>i-Lo</i> <sup>TM</sup>	Power-SPM <sup>TM</sup>	TinyBoost <sup>TM</sup>
Across the board. Around the world. <sup>TM</sup>	ImpliedDisconnect <sup>TM</sup>	PowerTrench <sup>®</sup>	TinyBuck <sup>TM</sup>
ActiveArray <sup>TM</sup>	IntelliMAX <sup>TM</sup>	Programmable Active Droop <sup>TM</sup>	TinyLogic <sup>®</sup>
Bottomless <sup>TM</sup>	ISOPLANAR <sup>TM</sup>	QFET <sup>®</sup>	TINYOPTO <sup>TM</sup>
Build it Now <sup>TM</sup>	MICROCOUPLER <sup>TM</sup>	QS <sup>TM</sup>	TinyPower <sup>TM</sup>
CoolFET <sup>TM</sup>	MicroPak <sup>TM</sup>	QT Optoelectronics <sup>TM</sup>	TinyWire <sup>TM</sup>
CROSSVOLT <sup>TM</sup>	MICROWIRE <sup>TM</sup>	Quiet Series <sup>TM</sup>	TruTranslation <sup>TM</sup>
CTL <sup>TM</sup>	Motion-SPM <sup>TM</sup>	RapidConfigure <sup>TM</sup>	μSerDes <sup>TM</sup>
Current Transfer Logic <sup>TM</sup>	MSX <sup>TM</sup>	RapidConnect <sup>TM</sup>	UHC <sup>®</sup>
DOME <sup>TM</sup>	MSXPro <sup>TM</sup>	ScalarPump <sup>TM</sup>	UniFET <sup>TM</sup>
E <sup>2</sup> CMOS <sup>TM</sup>	OCX <sup>TM</sup>	SMART START <sup>TM</sup>	VCX <sup>TM</sup>
EcoSPARK <sup>®</sup>	OCXPro <sup>TM</sup>	SPM <sup>®</sup>	Wire <sup>TM</sup>
EnSigna <sup>TM</sup>	OPTOLOGIC <sup>®</sup>	STEALTH <sup>TM</sup>	
FACT Quiet Series <sup>TM</sup>	OPTOPLANAR <sup>®</sup>	SuperFET <sup>TM</sup>	
FACT <sup>®</sup>	PACMAN <sup>TM</sup>	SuperSOT <sup>TM</sup> -3	
FAST <sup>®</sup>	PDP-SPM <sup>TM</sup>	SuperSOT <sup>TM</sup> -6	
FASTr <sup>TM</sup>	POP <sup>TM</sup>	SuperSOT <sup>TM</sup> -8	
FPS <sup>TM</sup>	Power220 <sup>®</sup>	SyncFET <sup>TM</sup>	
FRFET <sup>®</sup>	Power247 <sup>®</sup>	TCM <sup>TM</sup>	
GlobalOptoisolator <sup>TM</sup>	PowerEdge <sup>TM</sup>	The Power Franchise <sup>®</sup>	
GTO <sup>TM</sup>	PowerSaver <sup>TM</sup>		
HiSeC <sup>TM</sup>			

## DISCLAIMER

FAIRCHILD SEMICONDUCTOR RESERVES THE RIGHT TO MAKE CHANGES WITHOUT FURTHER NOTICE TO ANY PRODUCTS HEREIN TO IMPROVE RELIABILITY, FUNCTION OR DESIGN. FAIRCHILD DOES NOT ASSUME ANY LIABILITY ARISING OUT OF THE APPLICATION OR USE OF ANY PRODUCT OR CIRCUIT DESCRIBED HEREIN; NEITHER DOES IT CONVEY ANY LICENSE UNDER ITS PATENT RIGHTS, NOR THE RIGHTS OF OTHERS. THESE SPECIFICATIONS DO NOT EXPAND THE TERMS OF FAIRCHILD'S WORLDWIDE TERMS AND CONDITIONS, SPECIFICALLY THE WARRANTY THEREIN, WHICH COVERS THESE PRODUCTS.

## LIFE SUPPORT POLICY

FAIRCHILD'S PRODUCTS ARE NOT AUTHORIZED FOR USE AS CRITICAL COMPONENTS IN LIFE SUPPORT DEVICES OR SYSTEMS WITHOUT THE EXPRESS WRITTEN APPROVAL OF FAIRCHILD SEMICONDUCTOR CORPORATION.

As used herein:

1. Life support devices or systems are devices or systems which, (a) are intended for surgical implant into the body or (b) support or sustain life, and (c) whose failure to perform when properly used in accordance with instructions for use provided in the labeling, can be reasonably expected to result in a significant injury of the user.
2. A critical component in any component of a life support, device, or system whose failure to perform can be reasonably expected to cause the failure of the life support device or system, or to affect its safety or effectiveness.

## PRODUCT STATUS DEFINITIONS

### Definition of Terms

Datasheet Identification	Product Status	Definition
Advance Information	Formative or In Design	This datasheet contains the design specifications for product development. Specifications may change in any manner without notice.
Preliminary	First Production	This datasheet contains preliminary data; supplementary data will be published at a later date. Fairchild Semiconductor reserves the right to make changes at any time without notice to improve design.
No Identification Needed	Full Production	This datasheet contains final specifications. Fairchild Semiconductor reserves the right to make changes at any time without notice to improve design.
Obsolete	Not In Production	This datasheet contains specifications on a product that has been discontinued by Fairchild Semiconductor. The datasheet is printed for reference information only.

Rev. 126

# Mouser Electronics

Authorized Distributor

Click to View Pricing, Inventory, Delivery & Lifecycle Information:

[Fairchild Semiconductor:](#)

[74F240SC](#)