

### FEATURES

- Two 12-Bit DACs in One Package
- DAC Ladder Resistance Matching: 0.5%
- Space Saving Skinny DIP and Surface Mount Packages
- 4-Quadrant Multiplication
- Low Gain Error (1LSB max Over Temperature)
- Fast Interface Timing

### APPLICATIONS

- Automatic Test Equipment
- Programmable Filters
- Audio Applications
- Synchro Applications
- Process Control

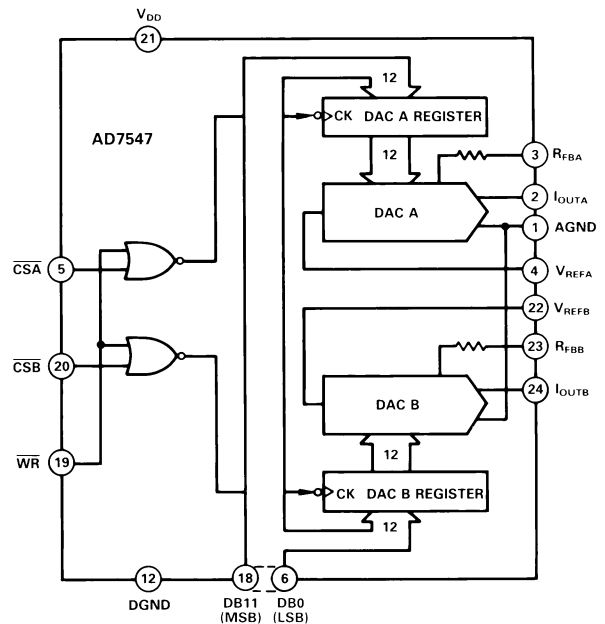
### GENERAL DESCRIPTION

The AD7547 contains two 12-bit current output DACs on one monolithic chip. Also on-chip are the level shifters, data registers and control logic for easy microprocessor interfacing. There are 12 data inputs.  $\overline{CSA}$ ,  $\overline{CSB}$ ,  $\overline{WR}$  control DAC selection and loading. Data is latched into the DAC registers on the rising edge of  $\overline{WR}$ . The device is speed compatible with most microprocessors and accepts TTL, 74HC and 5V CMOS logic level inputs.

The D/A converters provide 4-quadrant multiplication capabilities with separate reference inputs and feedback resistors. Monolithic construction ensures that thermal and gain error tracking is excellent. 12-bit monotonicity is guaranteed for both DACs over the full temperature range.

The AD7547 is manufactured using the Linear Compatible CMOS (LC<sup>2</sup>MOS) process. This allows fast digital logic and precision linear circuitry to be fabricated on the same die.

### FUNCTIONAL BLOCK DIAGRAM



### PRODUCT HIGHLIGHTS

1. **DAC to DAC Matching**  
Since both DACs are fabricated on the same chip, precise matching and tracking is inherent. Many applications which are not practical using two discrete DACs are now possible. Typical matching: 0.5%.
2. **Small Package Size**  
The AD7547 is available in 0.3" wide 24-pin DIPs and SOICs and in 28-terminal surface mount packages.
3. **Wide Power Supply Tolerance**  
The device operates on a +12V to +15V  $V_{DD}$ , with  $\pm 10\%$  tolerance on this nominal figure. All specifications are guaranteed over this range.

REV. A

Information furnished by Analog Devices is believed to be accurate and reliable. However, no responsibility is assumed by Analog Devices for its use; nor for any infringements of patents or other rights of third parties which may result from its use. No license is granted by implication or otherwise under any patent or patent rights of Analog Devices.

One Technology Way, P.O. Box 9106, Norwood, MA 02062-9106, U.S.A.  
Tel: 617/329-4700 Fax: 617/326-8703 Twx: 710/394-6577  
Telex: 924491 Cable: ANALOG NORWOODMASS

# AD7547 — SPECIFICATIONS<sup>1</sup> ( $V_{DD} = +12V$ to $+15V$ , $\pm 10\%$ , $V_{REFA} = V_{REFB} = 10V$ ; $I_{OUTA} = I_{OUTB} = AGND = 0V$ . All specifications $T_{min}$ to $T_{max}$ unless otherwise specified.)

Parameter	J, A Versions	K, B Versions	L, C Versions	S Version	T Version	U Version	Units	Test Conditions/Comments
<b>ACCURACY</b>								
Resolution	12	12	12	12	12	12	Bits	All grades guaranteed monotonic over temperature. Measured using $R_{FBA}$ , $R_{FBB}$ . Both DAC registers loaded with all 1's.
Relative Accuracy	$\pm 1$	$\pm 1/2$	$\pm 1/2$	$\pm 1$	$\pm 1/2$	$\pm 1/2$	LSB max	
Differential Nonlinearity	$\pm 1$	$\pm 1$	$\pm 1$	$\pm 1$	$\pm 1$	$\pm 1$	LSB max	
Gain Error	$\pm 6$	$\pm 3$	$\pm 1$	$\pm 6$	$\pm 3$	$\pm 2$	LSB max	
Gain Temperature Coefficient <sup>2</sup> ; $\Delta\text{Gain}/\Delta\text{Temperature}$	$\pm 5$	$\pm 5$	$\pm 5$	$\pm 5$	$\pm 5$	$\pm 5$	ppm/°C max	Typical value is 1ppm/°C
Output Leakage Current								
$I_{OUTA}$ + 25°C	10	10	10	10	10	10	nA max	DAC A Register loaded with all 0's.
$T_{min}$ to $T_{max}$	150	150	150	250	250	250	nA max	
$I_{OUTB}$ + 25°C	10	10	10	10	10	10	nA max	DAC B Register loaded with all 0's.
$T_{min}$ to $T_{max}$	150	150	150	250	250	250	nA max	
<b>REFERENCE INPUT</b>								
Input Resistance	9 20	9 20	9 20	9 20	9 20	9 20	k $\Omega$ min k $\Omega$ max	Typical Input Resistance $\approx 14k\Omega$
$V_{REFA}$ , $V_{REFB}$ Input Resistance Match	$\pm 3$	$\pm 3$	$\pm 1$	$\pm 3$	$\pm 3$	$\pm 1$	% max	Typically $\pm 0.5\%$
<b>DIGITAL INPUTS</b>								
$V_{IH}$ (Input High Voltage)	2.4	2.4	2.4	2.4	2.4	2.4	V min	$V_{IN} = V_{DD}$
$V_{IL}$ (Input Low Voltage)	0.8	0.8	0.8	0.8	0.8	0.8	V max	
$I_{IN}$ (Input Current) + 25°C	$\pm 1$	$\pm 1$	$\pm 1$	$\pm 1$	$\pm 1$	$\pm 1$	$\mu\text{A}$ max	
$T_{min}$ to $T_{max}$	$\pm 10$	$\pm 10$	$\pm 10$	$\pm 10$	$\pm 10$	$\pm 10$	$\mu\text{A}$ max	
$C_{IN}$ (Input Capacitance) <sup>2</sup>	10	10	10	10	10	10	pF max	
<b>POWER SUPPLY<sup>3</sup></b>								
$V_{DD}$	10.8/16.5	10.8/16.5	10.8/16.5	10.8/16.5	10.8/16.5	10.8/16.5	V min/V max	
$I_{DD}$	2	2	2	2	2	2	mA max	

## AC PERFORMANCE CHARACTERISTICS

These characteristics are included for Design Guidance only and are not subject to test.

( $V_{DD} = +12V$  to  $+15V$ ;  $V_{REFA} = V_{REFB} = +10V$ ,  $I_{OUTA} = I_{OUTB} = AGND = 0V$ . Output Amplifiers are AD644 except where stated.)

Parameter	$T_A = +25^\circ\text{C}$	$T_A = T_{min}, T_{max}$	Units	Test Conditions/Comments
Output Current Settling Time	1.5	—	$\mu\text{s}$ max	To 0.01% of full-scale range. $I_{OUT}$ load = 100 $\Omega$ , $C_{EXT} = 13\text{pF}$ . DAC output measured from rising edge of WR. Typical Value of Settling Time is 0.8 $\mu\text{s}$ .
Digital-to-Analog Glitch Impulse	7	—	nV-s typ	Measured with $V_{REFA} = V_{REFB} = 0V$ . $I_{OUTA}$ , $I_{OUTB}$ load = 100 $\Omega$ , $C_{EXT} = 13\text{pF}$ . DAC registers alternately loaded with all 0's and all 1's.
<b>AC Feedthrough<sup>4</sup></b>				
$V_{REFA}$ to $I_{OUTA}$	-70	-65	dB max	$V_{REFA}$ , $V_{REFB} = 20\text{V}$ p-p 10kHz sinewave. DAC registers loaded with all 0's.
$V_{REFB}$ to $I_{OUTB}$	-70	-65	dB max	
Power Supply Rejection $\Delta\text{Gain}/\Delta V_{DD}$	$\pm 0.01$	$\pm 0.02$	% per % max	$\Delta V_{DD} = V_{DD} \text{ max} - V_{DD} \text{ min}$
<b>Output Capacitance</b>				
$C_{OUTA}$	70	70	pF max	DAC A, DAC B loaded with all 0's.
$C_{OUTB}$	70	70	pF max	
$C_{OUTA}$	140	140	pF max	DAC A, DAC B loaded with all 1's.
$C_{OUTB}$	140	140	pF max	
<b>Channel-to-Channel Isolation</b>				
$V_{REFA}$ to $I_{OUTB}$	-84	—	dB typ	$V_{REFA} = 20\text{V}$ p-p 10kHz sinewave, $V_{REFB} = 0V$ . Both DACs loaded with all 1's.
$V_{REFB}$ to $I_{OUTA}$	-84	—	dB typ	$V_{REFB} = 20\text{V}$ p-p 10kHz sinewave, $V_{REFA} = 0V$ . Both DACs loaded with all 1's.
Digital Crosstalk	7	—	nV-s typ	Measured for a Code Transition of all 0's to all 1's. $I_{OUTA}$ , $I_{OUTB}$ Load = 100 $\Omega$ , $C_{EXT} = 13\text{pF}$
Output Noise Voltage Density (10Hz-100kHz)	25	—	nV/ $\sqrt{\text{Hz}}$ typ	Measured between $R_{FBA}$ and $I_{OUTA}$ or $R_{FBB}$ and $I_{OUTB}$ . Frequency of measurement is 10Hz-100kHz.
Total Harmonic Distortion	-82	—	dB typ	$V_{IN} = 6\text{V}$ rms, 1kHz. Both DACs loaded with all 1s.

### NOTES

<sup>1</sup>Temperature range as follows: J, K, L Versions:  $-40^\circ\text{C}$  to  $+85^\circ\text{C}$ .

A, B, C Versions:  $-40^\circ\text{C}$  to  $+85^\circ\text{C}$ .

S, T, U Versions:  $-55^\circ\text{C}$  to  $+125^\circ\text{C}$ .

<sup>2</sup>Sample tested at 25°C to ensure compliance.

<sup>3</sup>Functional at  $V_{DD} = 5V$  with degraded specifications.

<sup>4</sup>Pin 12 (DGND) on ceramic DIPs is connected to lid.

Specifications subject to change without notice.

**TIMING CHARACTERISTICS** ( $V_{DD} = 10.8V$  to  $16.5V$ ,  $V_{REFA} = V_{REFB} = +10V$ ,  $I_{OUTA} = I_{OUTB} = AGND = 0V$ )

Parameter	Limit at $T_A = +25^\circ C$	Limit at $T_A = -40^\circ C$ to $+85^\circ C$	Limit at $T_A = -55^\circ C$ to $+125^\circ C$	Units	Test Conditions/Comments
$t_1$	60	80	80	ns min	Data Setup Time
$t_2$	25	25	25	ns min	Data Hold Time
$t_3$	80	80	100	ns min	Chip Select to Write Setup Time
$t_4$	0	0	0	ns min	Chip Select to Write Hold Time
$t_5$	80	80	100	ns min	Write Pulse Width

NOTE  
Specifications subject to change without notice.

**ABSOLUTE MAXIMUM RATINGS\***

( $T_A = 25^\circ C$  unless otherwise stated)

$V_{DD}$ to DGND	-0.3V, +17V
$V_{REFA}$ , $V_{REFB}$ to AGND	$\pm 25V$
$V_{RFBA}$ , $V_{RFBB}$ to AGND	$\pm 25V$
Digital Input Voltage to DGND	-0.3V, $V_{DD} + 0.3V$
$I_{OUTA}$ , $I_{OUTB}$ to DGND	-0.3V, $V_{DD} + 0.3V$
AGND to DGND	-0.3V, $V_{DD} + 0.3V$
Power Dissipation (Any Package)	
To $+75^\circ C$	450mW
Derates above $+75^\circ C$	6mW/ $^\circ C$

**Operating Temperature Range**

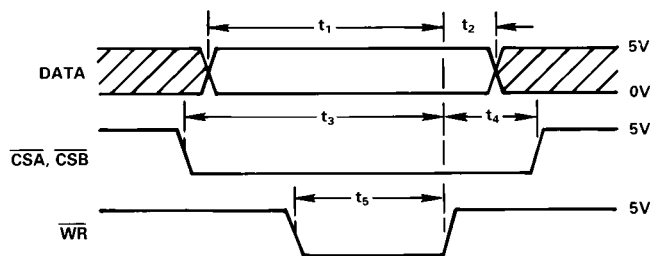
Commercial Plastic (J, K, L Versions)	-40°C to +85°C
Industrial Hermetic (A, B, C Versions)	-40°C to +85°C
Extended Hermetic (S, T, U Versions)	-55°C to +125°C
Storage Temperature	-65°C to +150°C
Lead Temperature (Soldering, 10secs)	+300°C

\*Stresses above those listed under "Absolute Maximum Ratings" may cause permanent damage to the device. This is a stress rating only and functional operation of the device at these or any other conditions above those indicated in the operational sections of this specification is not implied. Exposure to absolute maximum rating conditions for extended periods may affect device reliability.

$\overline{CSA}$	$\overline{CSB}$	$\overline{WR}$	FUNCTION
X	X	1	No Data Transfer
1	1	X	No Data Transfer
		0	A Rising Edge on $\overline{CSA}$ or $\overline{CSB}$ Loads
0	1		Data to the Respective DAC from the Data Bus
1	0		DAC A Register Loaded from Data Bus
0	0		DAC A and DAC B Registers Loaded from Data Bus

NOTES  
1. X = Don't care  
2. means rising edge triggered

Table I. AD7547 Truth Table



NOTES  
1. ALL INPUT SIGNAL RISE AND FALL TIMES MEASURED FROM 10% TO 90% OF +5V.  $t_r = t_f = 20ns$ .  
2. TIMING MEASUREMENT REFERENCE LEVEL IS  $\frac{V_{IH} + V_{IL}}{2}$

Figure 1. Timing Diagram for AD7547

**ORDERING GUIDE<sup>1</sup>**

Model <sup>2</sup>	Temperature Range	Relative Accuracy	Gain Error	Package Option <sup>3</sup>
AD7547JN	-40°C to +85°C	$\pm 1LSB$	$\pm 6LSB$	N-24
AD7547KN	-40°C to +85°C	$\pm 1/2LSB$	$\pm 3LSB$	N-24
AD7547LN	-40°C to +85°C	$\pm 1/2LSB$	$\pm 1LSB$	N-24
AD7547JP	-40°C to +85°C	$\pm 1LSB$	$\pm 6LSB$	P-28A
AD7547KP	-40°C to +85°C	$\pm 1/2LSB$	$\pm 3LSB$	P-28A
AD7547LP	-40°C to +85°C	$\pm 1/2LSB$	$\pm 1LSB$	P-28A
AD7547JR	-40°C to +85°C	$\pm 1LSB$	$\pm 6LSB$	R-24
AD7547KR	-40°C to +85°C	$\pm 1/2LSB$	$\pm 3LSB$	R-24
AD7547LR	-40°C to +85°C	$\pm 1/2LSB$	$\pm 1LSB$	R-24
AD7547AQ	-40°C to +85°C	$\pm 1LSB$	$\pm 6LSB$	Q-24
AD7547BQ	-40°C to +85°C	$\pm 1/2LSB$	$\pm 3LSB$	Q-24
AD7547CQ	-40°C to +85°C	$\pm 1/2LSB$	$\pm 1LSB$	Q-24
AD7547SQ	-55°C to +125°C	$\pm 1LSB$	$\pm 6LSB$	Q-24
AD7547TQ	-55°C to +125°C	$\pm 1/2LSB$	$\pm 3LSB$	Q-24
AD7547UQ	-55°C to +125°C	$\pm 1/2LSB$	$\pm 2LSB$	Q-24
AD7547SE	-55°C to +125°C	$\pm 1LSB$	$\pm 6LSB$	E-28A
AD7547TE	-55°C to +125°C	$\pm 1/2LSB$	$\pm 3LSB$	E-28A
AD7547UE	-55°C to +125°C	$\pm 1/2LSB$	$\pm 2LSB$	E-28A

NOTES  
<sup>1</sup>Analog Devices reserves the right to ship ceramic packages (D-24A) in lieu of cerdip packages (Q-24).  
<sup>2</sup>To order MIL-STD-883, Class B processed parts, add /883B to part number. Contact your local sales office for military data sheets.  
<sup>3</sup>E = Leadless Ceramic Chip Carrier; N = Plastic DIP; P = Plastic Leaded Chip Carrier; Q = Cerdip; R = SOIC.

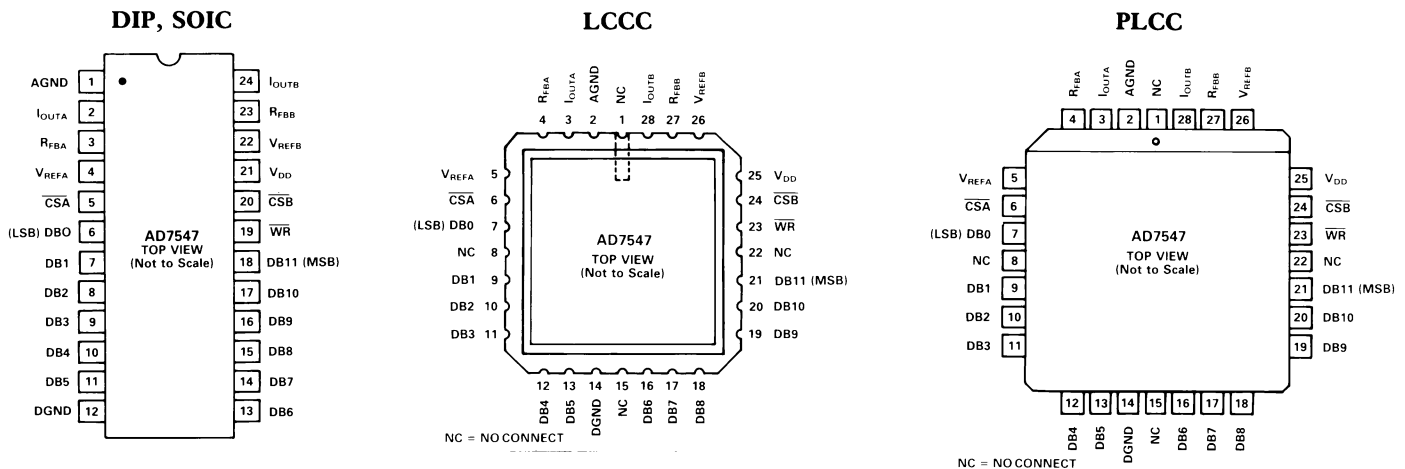
**CAUTION**

ESD (electrostatic discharge) sensitive device. The digital control inputs are diode protected; however, permanent damage may occur on unconnected devices subject to high energy electrostatic fields. Unused devices must be stored in conductive foam or shunts. The protective foam should be discharged to the destination socket before devices are removed.



# AD7547

## PIN CONFIGURATIONS



### PIN FUNCTION DESCRIPTION (DIP)

PIN	MNEMONIC	DESCRIPTION
1	AGND	Analog Ground.
2	IOUTA	Current output terminal of DACA.
3	R <sub>FBA</sub>	Feedback resistor for DACA.
4	V <sub>REFA</sub>	Reference input to DACA.
5	$\overline{CSA}$	Chip Select Input for DAC A. Active low.
6-18	DB0-DB11	12 data inputs, DB0 (LSB)–DB11 (MSB).
12	DGND	Digital Ground.
19	$\overline{WR}$	Write Input. Data transfer occurs on rising edge of $\overline{WR}$ . See Table I.
20	$\overline{CSB}$	Chip Select Input for DACB. Active low.
21	V <sub>DD</sub>	Power supply input. Nominally +12V to +15V with ±10% tolerance.
22	V <sub>REFB</sub>	Reference input to DACB.
23	R <sub>FBB</sub>	Feedback resistor of DACB.
24	IOUTB	Current output terminal of DACB.

## CIRCUIT INFORMATION

### D/A SECTION

The AD7547 contains two identical 12-bit multiplying D/A converters. Each DAC consists of a highly stable R-2R ladder and 12 N-channel current steering switches. Figure 2 shows a simplified D/A circuit for DAC A. In the R-2R ladder, binary weighted currents are steered between I<sub>OUTA</sub> and AGND. The current flowing in each ladder leg is constant, irrespective of switch state. The feedback resistor R<sub>FBA</sub> is used with an op-amp (see Figures 4 and 5) to convert the current flowing in I<sub>OUTA</sub> to a voltage output.

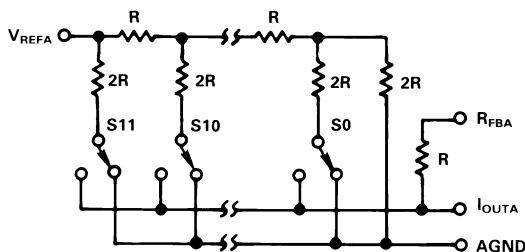


Figure 2. Simplified Circuit Diagram for DACA

### EQUIVALENT CIRCUIT ANALYSIS

Figure 3 shows the equivalent circuit for one of the D/A converters (DAC A) in the AD7547. A similar equivalent circuit can be drawn for DACB. Note that AGND is common to both DAC A and DAC B.

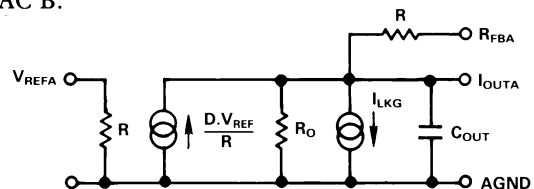


Figure 3. Equivalent Analog Circuit for DACA

C<sub>OUT</sub> is the output capacitance due to the N-channel switches and varies from about 50pF to 150pF with digital input code. The current source I<sub>LKG</sub> is composed of surface and junction leakages and approximately doubles every 10°C. R<sub>0</sub> is the equivalent output resistance of the device which varies with input code.

### DIGITAL CIRCUIT INFORMATION

The digital inputs are designed to be both TTL and 5V CMOS compatible. All logic inputs are static-protected MOS gates with typical input currents of less than 1nA.

**UNIPOLAR BINARY OPERATION  
(2-QUADRANT MULTIPLICATION)**

Figure 4 shows the circuit diagram for unipolar binary operation. With an ac input, the circuit performs 2-quadrant multiplication. The code table for Figure 4 is given in Table II.

Operational amplifiers A1 and A2 can be in a single package (AD644, AD712) or separate packages (AD544, AD711, AD OP-27). Capacitors C1 and C2 provide phase compensation to help prevent overshoot and ringing when high speed op-amps are used.

For zero offset adjustment, the appropriate DAC register is loaded with all 0's and amplifier offset adjusted so that  $V_{OUTA}$  or  $V_{OUTB}$  is 0V. Full-scale trimming is accomplished by loading the DAC register with all 1's and adjusting R1 (R3) so that  $V_{OUTA}$  ( $V_{OUTB}$ ) =  $-V_{IN}$  (4095/4096). For high temperature operation, resistors and potentiometers should have a low Temperature Coefficient. In many applications, because of the excellent Gain T.C. and Gain Error specifications of the AD7547, Gain Error trimming is not necessary. In fixed reference applications, full-scale can also be adjusted by omitting R1, R2, R3, R4 and trimming the reference voltage magnitude.

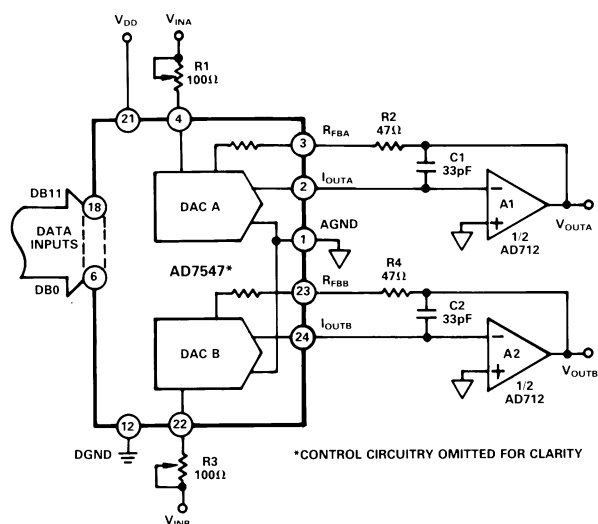


Figure 4. AD7547 Unipolar Binary Operation

Binary Number in DAC Register MSB    LSB	Analog Output, $V_{OUTA}$ or $V_{OUTB}$
1111 1111 1111	$-V_{IN} \left( \frac{4095}{4096} \right)$
1000 0000 0000	$-V_{IN} \left( \frac{2048}{4096} \right) = -1/2 V_{IN}$
0000 0000 0001	$-V_{IN} \left( \frac{1}{4096} \right)$
0000 0000 0000	0V

Table II. Unipolar Binary Code Table for Circuit of Figure 4

**BIPOLAR OPERATION  
(4-QUADRANT MULTIPLICATION)**

The recommended circuit diagram for bipolar operation is shown in Figure 5. Offset binary coding is used.

With the appropriate DAC register loaded to 1000 0000 0000, adjust R1 (R3) so that  $V_{OUTA}$  ( $V_{OUTB}$ ) = 0V. Alternatively, R1, R2 (R3, R4) may be omitted and the ratios of R6, R7 (R9, R10) varied for  $V_{OUTA}$  ( $V_{OUTB}$ ) = 0V. Full-scale trimming can be accomplished by adjusting the amplitude of  $V_{IN}$  or by varying the value of R5 (R8).

If R1, R2 (R3, R4) are not used, then resistors R5, R6, R7 (R8, R9, R10) should be ratio matched to 0.01% to ensure gain error performance to the data sheet specification. When operating over a wide temperature range, it is important that the resistors be of the same type so that their temperature coefficients match.

The code table for Figure 5 is given in Table III.

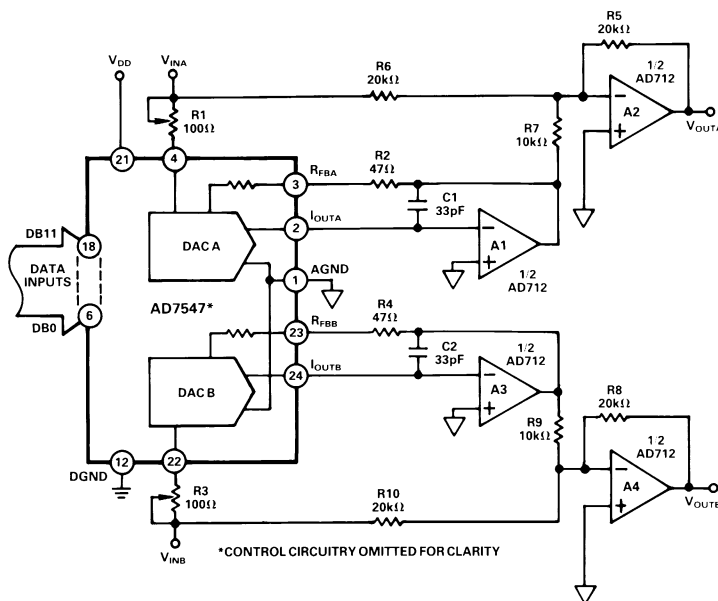


Figure 5. Bipolar Operation (Offset Binary Coding)

Binary Number in DAC Register MSB    LSB	Analog Output, $V_{OUTA}$ or $V_{OUTB}$
1111 1111 1111	$+V_{IN} \left( \frac{2047}{2048} \right)$
1000 0000 0001	$+V_{IN} \left( \frac{1}{2048} \right)$
1000 0000 0000	0V
0111 1111 1111	$-V_{IN} \left( \frac{1}{2048} \right)$
0000 0000 0000	$-V_{IN} \left( \frac{2048}{2048} \right) = -V_{IN}$

Table III. Bipolar Code Table for Offset Binary Circuit of Figure 5.

# AD7547 — Applications

## PROGRAMMABLE STATE VARIABLE FILTER

The circuit shown in Figure 6 provides three filter outputs: low pass, high pass and bandpass. It is called a State Variable Filter and the particular version shown in Figure 6 uses two AD7547s to control the critical parameters  $f_o$ , Q and  $A_o$ . Instead of several fixed resistors, the circuit uses the DAC equivalent resistances as circuit elements. Thus, R1 in Figure 6 is controlled by the 12-bit digital word loaded to DAC A of the AD7547. This is also the case with R2, R3 and R4. The fixed resistor R5 is the feedback resistor,  $R_{FBB}$ .

$$\text{DAC Equivalent Resistance, } R_{eq} = \frac{4096 \times R_{LAD}}{N}$$

where  $R_{LAD}$  = DAC Ladder Resistance

$N$  = DAC Digital Code in Decimal. ( $0 < N < 4095$ )

In the circuit of Figure 6:

$C1 = C2$ ,  $R7 = R8$ ,  $R3 = R4$  (i.e., the same code is in each DAC)

$$\text{Resonant frequency, } f_o = \frac{1}{2\pi R_3 C_1}$$

$$\text{Quality Factor, } Q = \frac{R_6 \cdot R_2}{R_8 \cdot R_5}$$

$$\text{Bandpass Gain, } A_o = \frac{-R_2}{R_1}$$

Using the values shown in Figure 6 the Q range is 0.3 to 5 and  $f_o$  range is 0 to 12kHz.

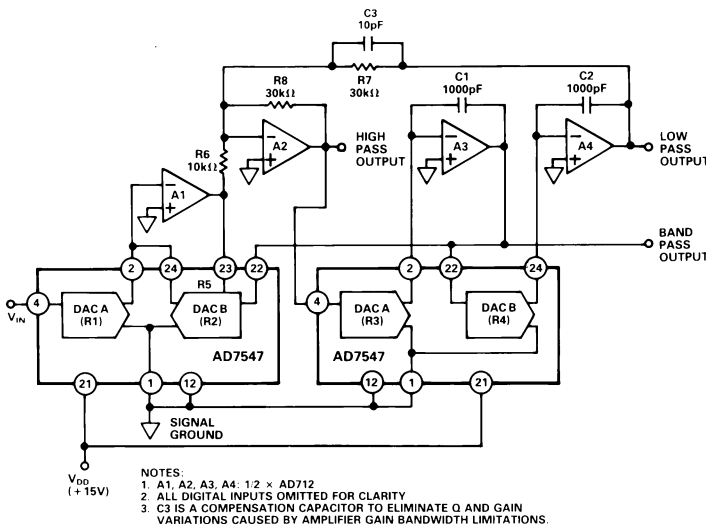


Figure 6. Programmable State Variable Filter

## SINGLE SUPPLY APPLICATIONS

DAC A and DAC B of the AD7547 have termination resistors which are tied to the AGND line within the device. This arrangement is ideal for single supply operation because AGND may be biased at any voltage between DGND and  $V_{DD}$ . Figure 7 shows a circuit which provides two +5V to +10V analog

outputs by biasing AGND to +5V with respect to DGND, which in this case is also the system ground. The two DAC reference inputs are also tied to system ground.

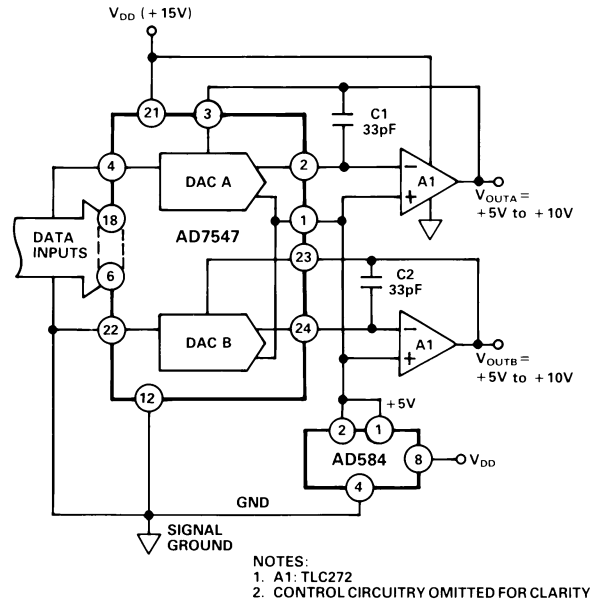


Figure 7. AD7547 Single Supply Operation

The transfer function for each channel is:

$$V_{OUT} = 5V \left( 1 + \frac{R_{FB}}{R_{EQ}} \right)$$

With all 0's loaded to the DAC,  $R_{EQ} = \infty$  and  $V_{OUT} = +5V$ . With all 1's loaded  $R_{EQ} = R_{LADDER} = R_{FB}$  and  $V_{OUT} = +10V$ .

Figure 8 shows both DACs of the AD7547 connected in the voltage switching mode. For further information on this mode of operation see the CMOS DAC Application Guide from Analog Devices, publication number G872a-15-4/86. To optimize performance when using this circuit,  $V_{IN}$  must be in the range 0 to +1.25V and the output buffered.  $V_{IN}$  must be driven from a low impedance source (e.g. a buffer amplifier). Figure 9 shows how differential linearity degrades with increasing  $V_{IN}$ .

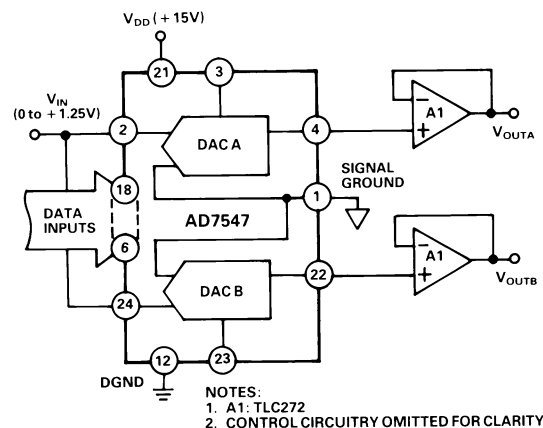


Figure 8. AD7547 Operated in Single Supply, Voltage Switching Mode

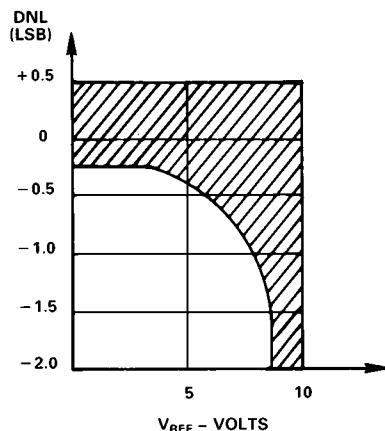


Figure 9. Differential Nonlinearity vs. Reference Voltage for Circuit of Figure 8.  $V_{DD} = 15V$ . Shaded Area Shows Range of Values of Differential Nonlinearity that Typically Occur for L, C and U Grades

#### APPLICATION HINTS

**Output Offset:** CMOS D/A converters in circuits such as Figures 4 and 5 exhibit a code dependent output resistance which in turn can cause a code dependent error voltage at the output of the amplifier. The maximum amplitude of this error, which adds to the D/A converter nonlinearity, depends on  $V_{OS}$ , where  $V_{OS}$  is the amplifier input offset voltage. To maintain specified operation, it is recommended that  $V_{OS}$  be no greater than  $(25 \times 10^{-6})(V_{REF})$  over the temperature range of operation. Suitable op amps are the AD711C and its dual version, the AD712C. These op amps have a wide bandwidth and high slew rate and are recommended for wide bandwidth ac applications. AD711/AD712 settling time to 0.01% is typically  $1\mu s$ .

**Temperature Coefficients:** The gain temperature coefficient of the AD7547 has a maximum value of  $5\text{ppm}/^\circ\text{C}$  and typical value of  $1\text{ppm}/^\circ\text{C}$ . This corresponds to worst case gain shifts of 2LSBs and 0.4LSBs respectively over a  $100^\circ\text{C}$  temperature range. When trim resistors R1(R3) and R2(R4) are used to adjust full-scale range as in Figure 4, the temperature coefficient of R1(R3) and R2(R4) should also be taken into account. For further information see "Gain Error and Gain Temperature Coefficient of CMOS Multiplying DACs", Application Note, Publication Number E630c-5-3/86 available from Analog Devices.

**High Frequency Considerations:** AD7547 output capacitance works in conjunction with the amplifier feedback resistance to add a pole to the open loop response. This can cause ringing or oscillation. Stability can be restored by adding a phase compensation capacitor in parallel with the feedback resistor. This is shown as C1 and C2 in Figures 4 and 5.

**Feedthrough:** The dynamic performance of the AD7547 depends upon the gain and phase stability of the output amplifier, together with the optimum choice of PC board layout and decoupling components. A suggested printed circuit layout for Figure 4 is shown in Figure 10 which minimizes feedthrough from  $V_{REFA}$ ,  $V_{REFB}$  to the output in multiplying applications.

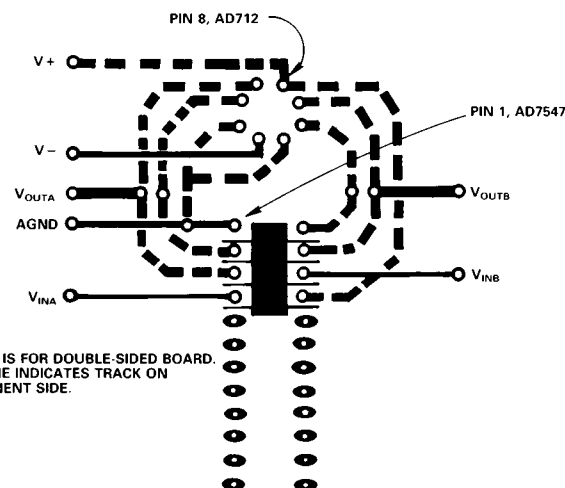


Figure 10. Suggested Layout for Circuit of Figure 4

#### MICROPROCESSOR INTERFACING

The AD7547 is designed for easy interfacing to 16-bit microprocessors. Figures 11 and 12 show the interface circuits for two of the most popular 16-bit microprocessors; the 8086 and the 68000. Note that the amount of external logic needed is minimal.

Since data is loaded into the DAC registers on the rising edge of  $\overline{WR}$ , the possibility of invalid data being loaded temporarily to the DAC is removed. This considerably eases the interface circuit design.

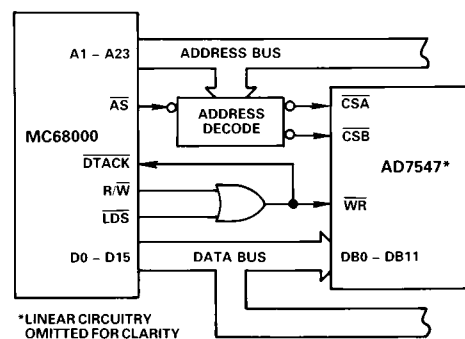


Figure 11. AD7547 - MC68000 Interface

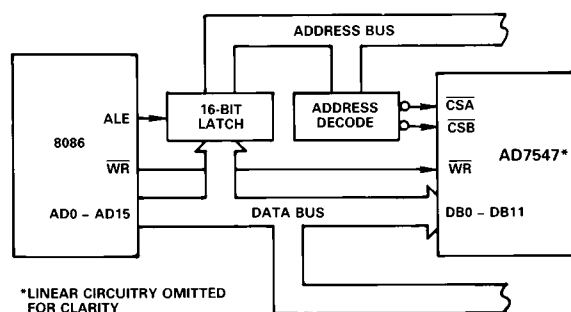
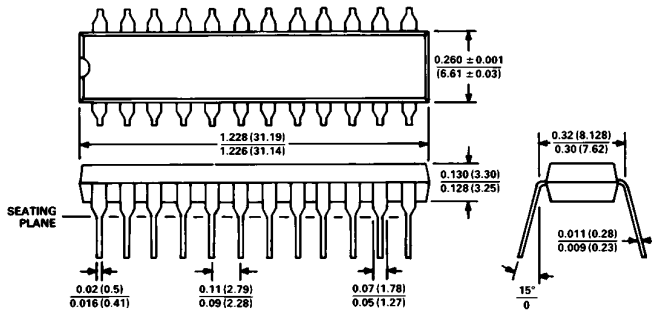


Figure 12. AD7547 - 8086 Interface

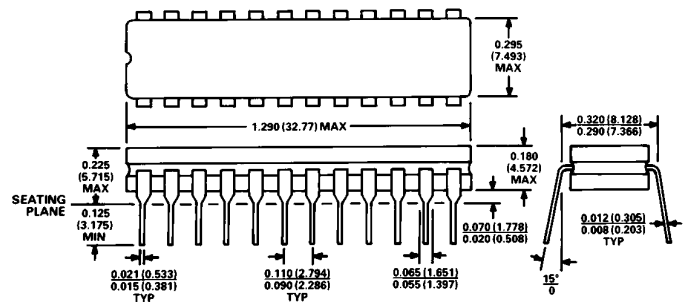
**OUTLINE DIMENSIONS**  
Dimensions shown in inches and (mm).

**24-Pin Plastic DIP (N-24)**



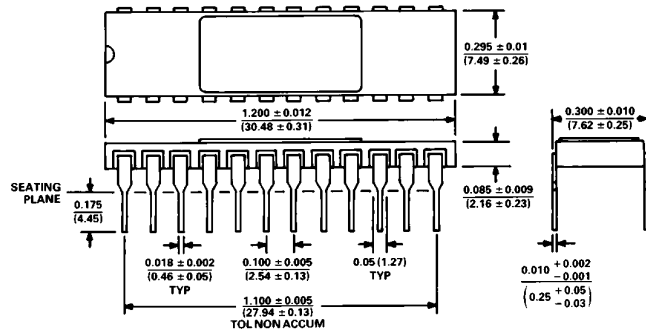
- NOTES  
1. LEAD NO. 1 IDENTIFIED BY DOT OR NOTCH.  
2. PLASTIC LEADS WILL BE EITHER SOLDER DIPPED OR TIN LEAD PLATED IN ACCORDANCE WITH MIL-M-38510 REQUIREMENTS.

**24-Pin Cerdip (Q-24)**



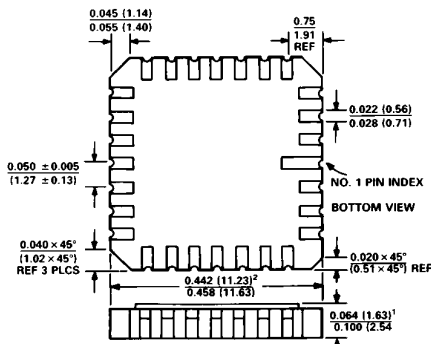
- NOTES  
1. LEAD NO. 1 IDENTIFIED BY DOT OR NOTCH.  
2. CERDIP LEADS WILL BE EITHER TIN PLATED OR SOLDER DIPPED IN ACCORDANCE WITH MIL-M-38510 REQUIREMENTS.

**24-Pin Ceramic DIP (D-24A)**



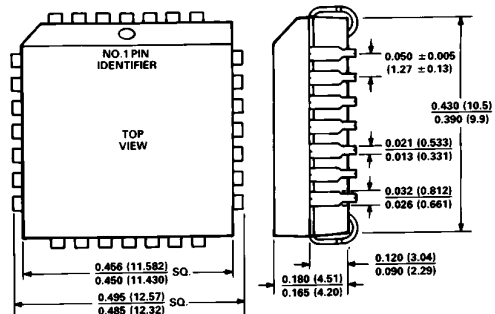
- NOTES  
1. LEAD NO. 1 IDENTIFIED BY DOT OR NOTCH.  
2. CERAMIC DIP LEADS WILL BE EITHER GOLD OR TIN PLATED IN ACCORDANCE WITH MIL-M-385 TO REQUIREMENTS.  
3. METAL LID IS CONNECTED TO DGND.

**28-Terminal Leadless Ceramic Chip Carrier (E-28A)**



- NOTES  
1. THIS DIMENSION CONTROLS THE OVERALL PACKAGE THICKNESS.  
2. APPLIES TO ALL FOUR SIDES.  
3. ALL TERMINALS ARE GOLD PLATED.

**28-Terminal Plastic Leaded Chip Carrier (P-28A)**



**PRICING (100+) \$**

AD7547JN \$14.50	AD7547AQ \$19.80	AD7547SQ \$60.00
AD7547KN \$17.00	AD7547BQ \$22.30	AD7547TQ \$70.00
AD7547LN \$23.00	AD7547CQ \$28.30	AD7547UQ \$85.00