

## SUB-MINI & MINIATURE PUSHBUTTONS



Fig. 1



Fig. 2



Fig. 3



Fig. 4



Fig. 5



Fig. 6



Fig. 7



Fig. 8



Fig. 9



Fig. 10



Fig. 11



Fig. 12



Fig. 13

Retail Part No.	Bulk Part No.	Fig. No.	Circuit Function	Poles/Throws	Amps 125 VAC	Amps 250 VAC	Bushing Length	Actuator Length	Actuator Color	Actuator Style	Terminal Type	Mounting Hole	Hardware	Spec. Drawing Page No.
35-402	35-402-BU	1	On (Off)	NC SPST	1/4*		0.125	0.175	Black	PI	Sd Lug	0.172	N	289-A
35-3459	35-3459-BU	2	Off (On)	NO SPST	1/4†		0.225	0.240	White	Pin	Sd Eyelet	0.250	N	289-B
35-400	35-400-BU	3	Off (On)	NO SPST	1/2	1/4	0.125	0.175	Black	PI	Sd Lug	0.172	N	289-C
35-401	35-401-BU	4	Off (On)	NO SPST	1		0.276	0.091	Black	RC	Sd Eyelet	0.281	N, KN	289-D
<del>35-407</del>	<del>35-407-BU</del>	<del>5</del>	<del>Off (On)</del>	<del>NO SPST</del>	<del>1</del>	<del>1/2</del>	<del>0.276</del>	<del>0.100</del>	<del>White</del>	<del>SqB</del>	<del>QC .187"/Sd</del>	<del>****</del>		<del>289-E</del>
35-410	35-410-BU	4	Off (On)	NO SPST	1		0.276	0.091	Red	RC	Sd Eyelet	0.281	N, KN	289-D
35-415	35-415-BU	5	Off (On)	NO SPST	1	1/2		0.100	Red	SqB	QC .187"/Sd	****		289-E
35-450	35-450-BU	6	On (On)	SPDT	1*		0.250	0.218	White	Pin	Sd Eyelet	0.250	2 N, LW, LR	289-F
35-451	35-451-BU	7	On (On)	DPDT	1*		0.250	0.218	White	Pin	Sd Eyelet	0.250	2 N, LW, LR	289-F
35-404	35-404-BU	8	On (On)	SPDT	3		0.335	0.315	Black	RC	Sd Eyelet	0.250	N, KN, W	289-G
35-405	35-405-BU	9	On (On)	DPDT	3		0.335	0.315	Black	RC	Sd Eyelet	0.250	N, KN, W	289-J
35-406	35-406-BU	10	On (Off)	SPST	3		0.315	0.315	Black	RC	Sd Eyelet	0.315	N, W	289-H
35-408	35-408-BU	10	On (On)	SPDT	3		0.315	0.315	Black	RC	Sd Eyelet	0.315	N, W	289-H
35-409	35-409-BU	10	Off (On)	NO SPST	3		0.315	0.315	Black	RC	Sd Eyelet	0.315	N, W	289-H
35-411	35-411-BU	11	Off (On)	NO SPST	3	1	0.295	0.157	Black	RB	Sd Eyelet	0.400	N, W	289-I
35-412	35-412-BU	12	Off (On)	NO SPST	3	1	0.295	0.157	Black	SqB	Sd Eyelet	0.400	N, W	289-I
35-413	35-413-BU	13	Off (On)	NO SPST	3	1	0.295	0.157	Black	RqB	Sd Eyelet	0.400	N, W	289-I
35-417	35-417-BU	13	Off (On)	NO SPST	3	1	0.295	0.157	Red	RqB	Sd Eyelet	0.400	N, W	289-I
35-425	35-425-BU	9	On (On)	DPDT	3		0.335	0.315	Blue	RC	Sd Eyelet	0.250	N, KN, W	289-J

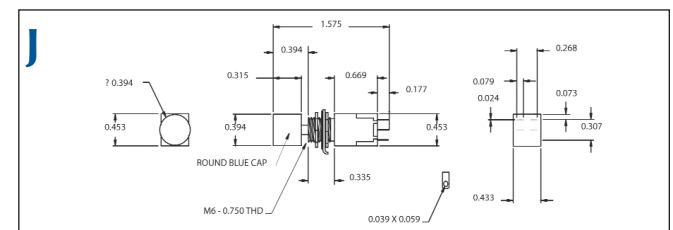
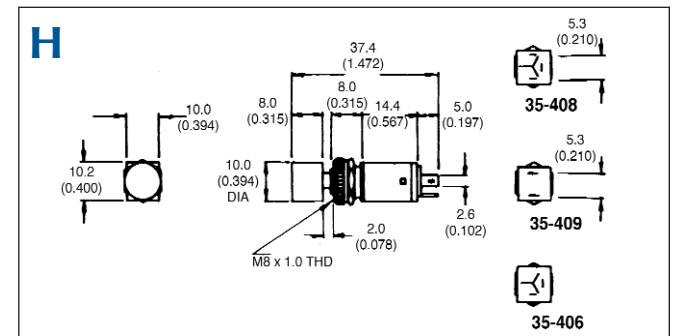
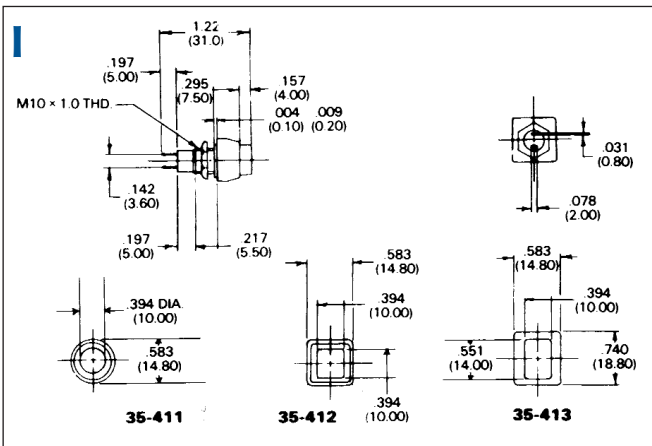
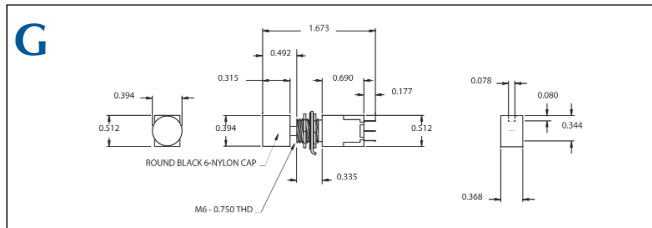
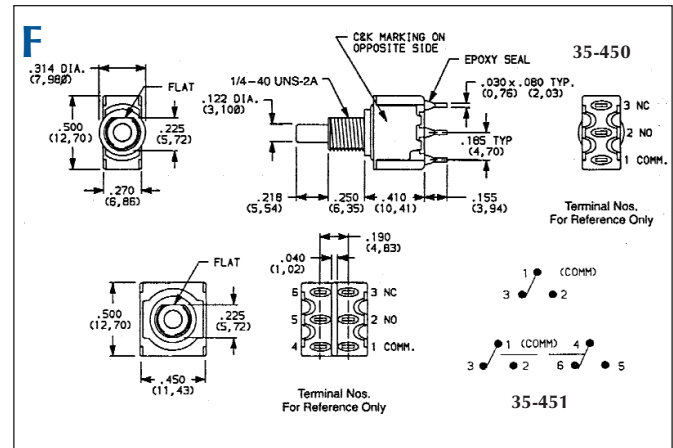
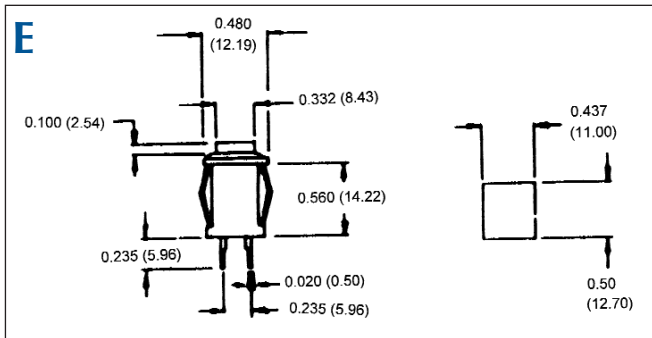
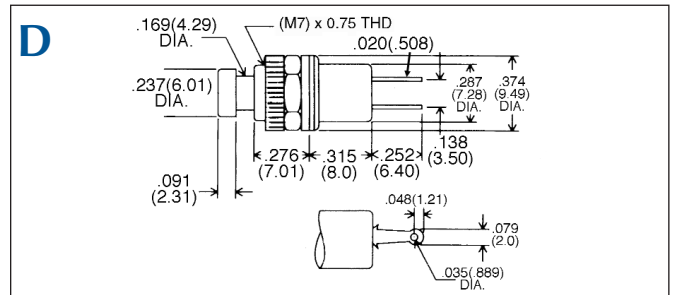
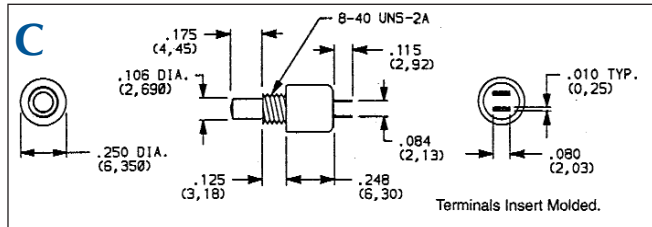
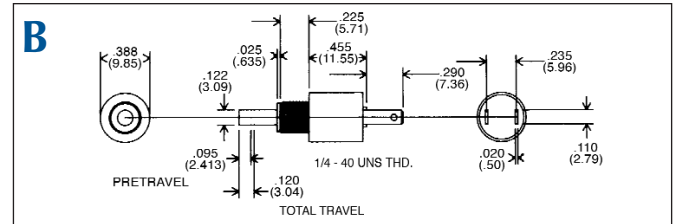
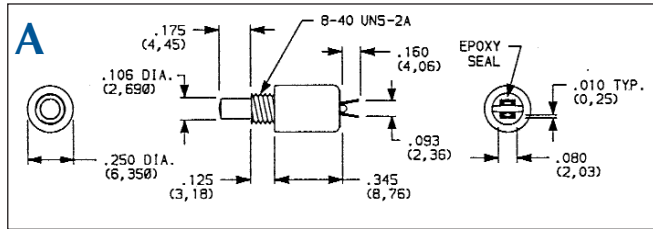
Notes: (On)/(Off)=Momentary On/Off  
 \*Rated@120VAC/28VDC  
 \*\*\*\*0.500 x 0.437  
 †=Rated @125VAC/DC

KN=Knurled Nut  
 LR=Lock Ring  
 LW=Lock Washer  
 N=Nut(s)  
 NC=Normally Closed  
 NO=Normally Open  
 N/R=Not Rated

QC=Quick Connect  
 RC=Round Cap  
 RqB=Rectangle Button

PI=Plunger  
 Sd=Solder  
 SqB=Square Button  
 W=Washer

Note: All figures are for illustration purpose only, and the number/type of terminals may vary.



Switches

## MINIATURE PUSHBUTTONS (Cont.)

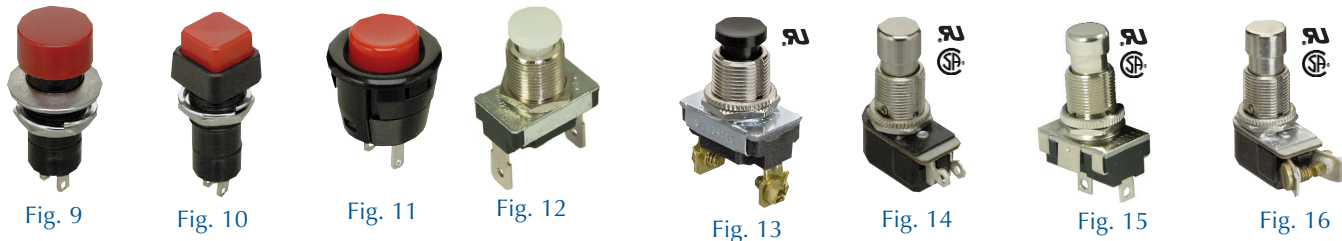


Retail Part No.	Bulk Part No.	Fig. No.	Circuit Function	Poles/Throws	Amps 125 VAC	30 Watts	Bushing Length	Actuator Length	Actuator Color	Actuator Style	Terminal Type	Mounting Hole	Hardware	Spec. Drawing Page No.
35-416	35-416-BU	1	On (Off)	SPDT	N/R	250mA	0.391	0.110	Red	RB	Sd Eyelet	0.469	LN, LW	291-A
35-418	35-418-BU	2	On (Off)	SPDT	N/R	250mA	0.391		Black	RB	Sd Eyelet	0.469	LN, LW	291-A
35-3460	35-3460-BU	3	On Off	SPST	6††		1.100	0.450	Brass	CB	6" WL	0.375	N, KN	291-B
35-852	35-852-BU	4	On Off	SPST	6††		0.375	0.344	Black	CB	6" WL	0.375	N, KN	291-C
Retail Part No.	Bulk Part No.	Fig. No.	Circuit Function	Poles/Throws	Amps 125 VAC	Amps 250 VAC	Bushing Length	Actuator Length	Actuator Color	Actuator Style	Terminal Type	Mounting Hole	Hardware	Spec. Drawing Page No.
35-491	35-491-BU	5	On On	DPDT	0.50**	0.20		0.406	Black	RmB	PCB/Sd Eye		N, LN	291-D
Retail Part No.	Bulk Part No.	Fig. No.	Circuit Function	Poles/Throws	A 125/250 VAC	30 VAC	Bushing Length	Actuator Length	Actuator Color	Actuator Style	Terminal Type	Mounting Hole	Hardware	Spec. Drawing Page No.
35-475	35-475-BU	6	(On) Off	NO SPST	0.50	0.50	0.260	0.500	Black	RB	†††	0.500	N, LN	291-E
35-476	35-476-BU	7	Off (On)	NO SPST	0.50		0.260	0.500	Red	RB	†††	0.500	N, LN	291-E
35-3471	35-3471-BU	8	On (Off)	NC SPST	***		0.374	0.244	White	RB	Sc	0.500	N, LW	291-F

Notes: (On)/(Off)=Momentary On/Off  
 ††=3@250V AC  
 †††=6.3mm Tab w/Eyelet  
 \*\*Rated@100VAC  
 \*\*\*Rated 2Amps @120VAC, 1A 277 VAC  
 35-491 is momentary on if the pin is removed  
 CB=Canopy Button  
 KN=Knurled Nut  
 LN=Lock Nut  
 LW=Lock Washer  
 N=Nut(s)  
 NC=Normally Closed  
 NO=Normally Open  
 N/R=Not Rated  
 PCB=Printed Circuit Board  
 RB=Round Button  
 RmB=Removable Button  
 Sc=Screw  
 Sd=Solder

## STANDARD PUSHBUTTONS

Switches

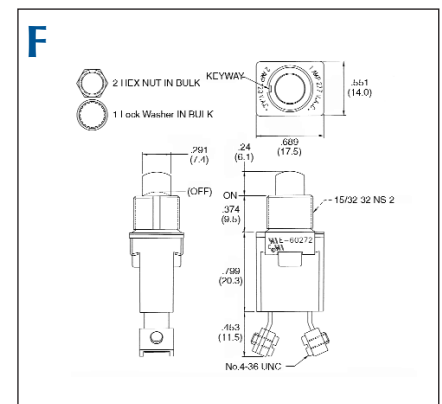
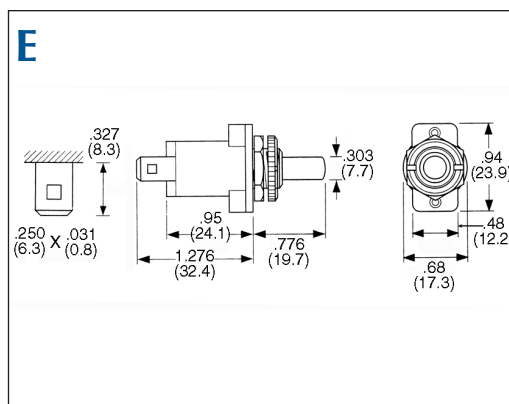
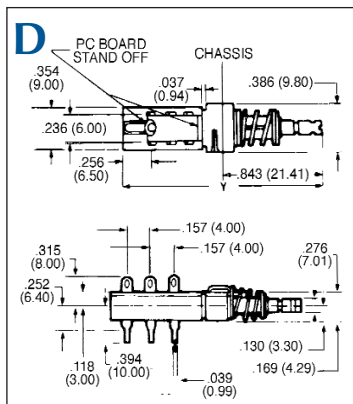
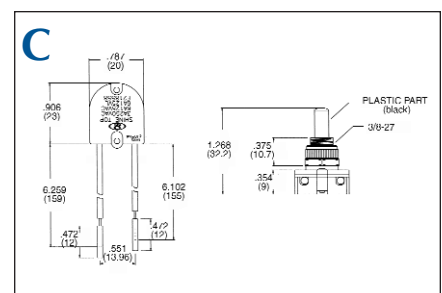
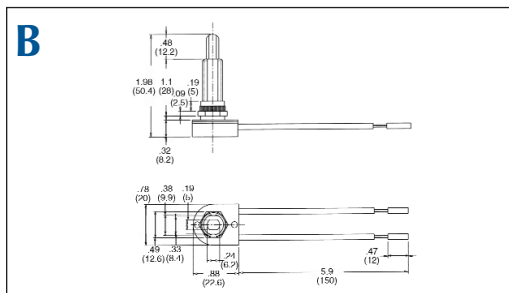
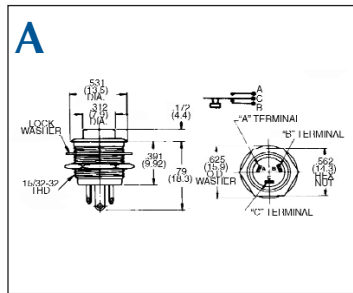


Retail Part No.	Bulk Part No.	Fig. No.	Circuit Function	Poles/Throws	Amps 125 VAC	Amps 250 VAC	Bushing Length	Actuator Length	Actuator Color/Material	Frame/Bezel	Terminal Type	Mount Hole	Hardware	Spec. Drawing Page No.
35-420	35-420-BU	9	Off (On)	NO SPST		3	0.276	0.354	Red Plastic	Chrm. Ring	Sd Eyelet	0.500	N, W	291-G
35-421	35-421-BU	10	Off (On)	NO SPST		3	0.390	0.244	Red Plastic	Black Square	Sd Eyelet	0.500	N, W	291-H
35-422	35-422-BU	9	On Off	SPST		3	0.276	0.354	White Plastic	Chrm. Ring	Sd Eyelet	0.500	N, W	291-G
35-423	35-423-BU	11	Off (On)	NO SPST	3	N/R	Snap-in	0.125	Red Plastic	Black	Sd Eyelet	0.687		291-I
35-3456	35-3456-BU	12	(On) Off	SPST	6	3	0.500	0.212	White		Q.C.	0.500	N, KN	291-J
35-3457	35-3457-BU	13	Off (On)	NO SPST	6**	3**	0.500	0.212	Black Plastic		Sc	0.500	N, KN, Sc	291-J
35-3458	35-3458-BU	13	(Off) On	NC SPST	***	***	0.490	0.200	Red Plastic		Sc	0.500	N, KN, Sc	291-K
35-430	35-430-BU	14	Off (On)	NO SPST	6	3	0.562	0.437	Chrm. Metal		Sd Eyelet	0.500	N, KN	291-L
35-432	35-432-BU	14	On (Off)	NC SPST	6	3	0.562	0.437	Chrm. Metal		Sd Eyelet	0.500	N, KN	291-L
35-448	35-448-BU	15	On Off	SPST	6	3	0.561	0.415	Chrm. Metal		Sd Eyelet	0.500	N, KN	291-L
35-449	35-449-BU	16	On Off	SPST	6	3	0.561	0.437	Chrm. Metal		Sc	0.500	N, KN	291-M

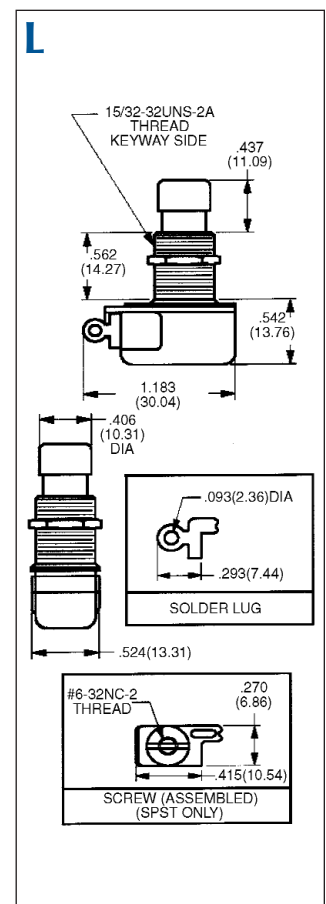
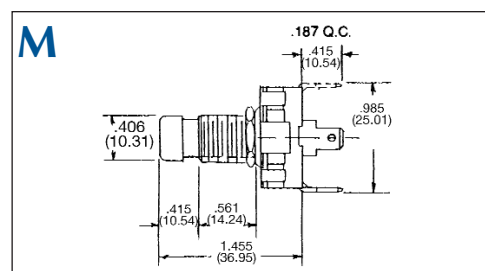
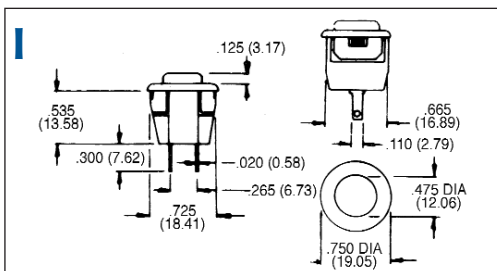
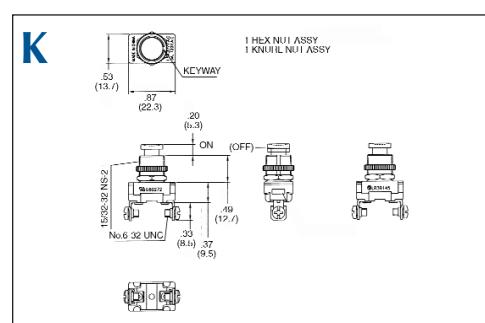
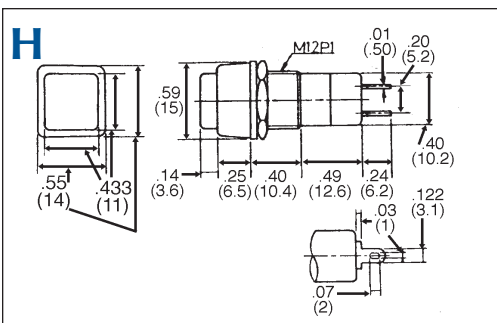
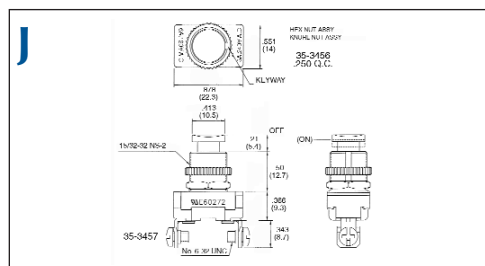
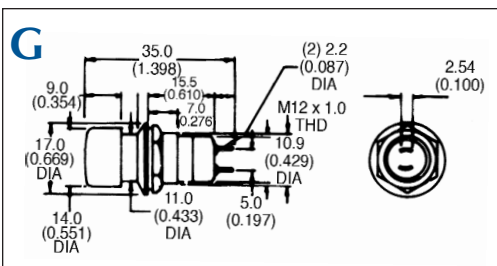
Notes: (On)/(Off)/(SPDT)=Momentary Action  
 †=Rated 1/2 HP @250VDC  
 \*\*Rated 8Amps @125V DC, 4Amps @250V DC, 1/3 HP @125VAC;  
 \*\*\*Rated 6Amps @120VAC/3Amps @240VAC  
 \*\*\*\*Rated 3Amps @120VAC/1.5Amps @277VAC  
 \*\*\*\*\*Rated 25/15Amps @6/12VDC  
 NC=Normally Closed  
 NO=Normally Open  
 N/R=Not Rated  
 QC=Quick Connect  
 Sc=Screw  
 Sd=Solder  
 W=Washer  
 WL=Wire Lead

Note: All figures are for illustration purpose only, and the number/type of terminals may vary.

## MINIATURE PUSHBUTTONS (Cont.)

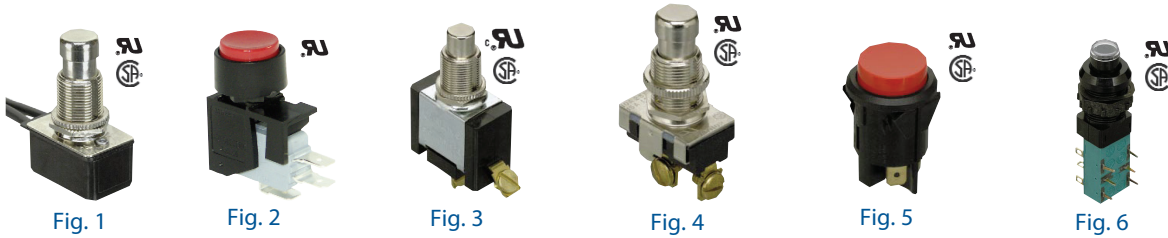


## STANDARD PUSHBUTTONS (Cont.)



Switches

## STANDARD PUSHBUTTONS (Cont.)



Retail Part No.	Bulk Part No.	Fig. No.	Circuit Function	Poles/Throws	Amps 125 VAC	Amps 250 VAC	Bushing Length	Actuator Length	Actuator Color/Material	Frame/Bezel	Terminal Type	Mount Hole	Hardware	Spec. Drawing Page No.
35-3454	35-3454-BU	1	On Off	SPST††	10*	N/R	0.561	0.410	Chrm. Metal		6" WL	0.500	N, KN	293-A
35-473	35-473-BU	2	NO or NC	SPDT	16†	16†	0.380	0.125	Red Plastic	Black Shroud	QC .250"	0.500	N	293-B
35-458	35-458-BU	3	On Off	SPST	15	10	0.562	0.238	Chrm. Metal		Sc	0.500	N, KN, Sc	293-C
35-3425	35-3425-BU	4	On Off	SPST	15	10	0.561	0.415	Chrm. Metal		Sc	0.500	N, KN, Sc	293-D
35-3427	35-3427-BU	4	Off (On)	NO SPST	15	10	0.561	0.415	Chrm. Metal		Sc	0.500	N, KN, Sc	293-D
35-3429	35-3429-BU	4	On (Off)	NC SPST	15	10	0.561	0.415	Chrm. Metal		Sc	0.500	N, KN, Sc	293-D
35-3490	35-3490-BU	4	On On	SPDT	15	10	0.561	0.415	Chrm. Metal		Sc	0.500	2 N, Sc	293-D
35-455	35-455-BU	5	Off On	SPST	16^	16	Snap-in	0.157	Red Plastic	Black	QC .250"/Sd	0.992		293-E
35-457	35-457-BU	5	Off (On)	NO SPST	16^	16	Snap-in	0.157	Red Plastic	Black	QC .250"/Sd	0.992		293-E
35-459	35-459-BU	5	Off (On)	NO SPST	16^	16	Snap-in	0.157	Black Plastic	Black	QC .250"/Sd	0.992		293-E
35-490	35-490-BU	6	On Off	DPDT††	8	6	0.730	0.312	OrangeΔ	Black	PCB/Sd Lug	0.530	N, W	293-F

Notes: (On)/(Off)/(SPDT)=Momentary Action  
 \*Rated 8Amps @125V DC, 4Amps @250V DC, 1/3 HP @125VAC;  
 \*\*Rated 6Amps @120VAC/3Amps @240VAC  
 \*\*\*Rated 3Amps @120VAC/1.5Amps @277VAC  
 ^=1/2 HP @ 125VAC, 1 HP @ 250 VAC  
 †=Rated 1/2 HP @125 VAC, 0.2A @250 VDC

††=Alternate Action  
 Chrm.=Chrome  
 HP=Horse Power  
 35-490 comes with Nut and Washer Hardware  
 35-490 pin can be removed to make momentary  
 Δ=Mechanical Indicator, non-illuminated

NC=Normally Closed  
 NO=Normally Open  
 N/R=Not Rated  
 QC=Quick Connect  
 Sc=Screw  
 Sd=Solder  
 W=Washer  
 WL=Wire Lead  
 KN=Knurled Nut  
 N=Nut(s)

## LIGHTED PUSHBUTTONS



Retail Part No.	Bulk Part No.	Fig. No.	*Circuit Function	Poles/Throws	Amps 125 VAC	Amps 250 VAC	Amps 14 VDC	HP 125 VAC	Bushing Length	Actuator Length	Actuator Color	Actuator Style	Terminal Type	Mounting Hole	Spec Drawing Page No.
35-480	35-480-BU	8^	On Off	SPST	10	10	10	1/4	Snap-in	0.360	Red Lens	Square	QC .25"/Sd	1.10 x 0.88	293-J
35-481 ††		8									Red Lens	Square			293-J
35-482	35-482-BU	8^	On Off	SPST	10	10	10	1/4	Snap-in	0.360	Amber Lens	Square	QC .25"/Sd	1.10 x 0.88	293-J
35-484	35-484-BU	8^	On Off	SPST	10	10	10	1/4	Snap-in	0.360	Green Lens	Square	QC .25"/Sd	1.10 x 0.88	293-J
35-3412	35-3412-BU	9	(1NC) (1NO)	SPDT		4†			0.295	0.196		Square	Sd Eyelet	0.638	293-H
35-3414	35-3414-BU	9	1NC 1NO	SPDT		4†			0.295	0.196		Square	Sd Eyelet	0.638	293-H
35-3430	35-3430-BU	9	2NC 2NO	DPDT		4†			0.295	0.196		Square	Sd Eyelet	0.638	293-H
35-3431	35-3431-BU	10	2NC 2NO	DPDT		4†			0.295	0.196		Rq	Sd Eyelet	0.638	293-I
35-3432	35-3432-BU	10	(1NC) (1NO)	SPDT		4†			0.295	0.196		Rq	Sd Eyelet	0.638	293-I

### Lens and Diffuser Kits

Choose a Lens and Diffuser Kit below to go with Fig. 9 and Fig. 10 above part numbers (Sold Separately)

Retail Part No.	Bulk Part No.	Fig. No.	Style	Color	Spec Drawing Page No.
35-3435	<del>35-3435-BU</del>	11	Square	Green	293-K
<del>35-3437</del>		<del>11</del>	<del>Square</del>	<del>Red</del>	<del>293-K</del>
35-3438		11	Square	Clear	293-K
35-3440	<del>35-3440-BU</del>	12	Rectangle	Green	293-L
35-3444		12	Rectangle	Yellow	293-L

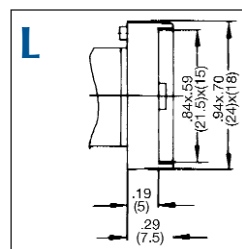
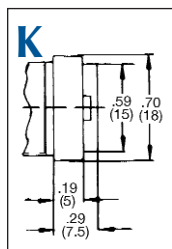
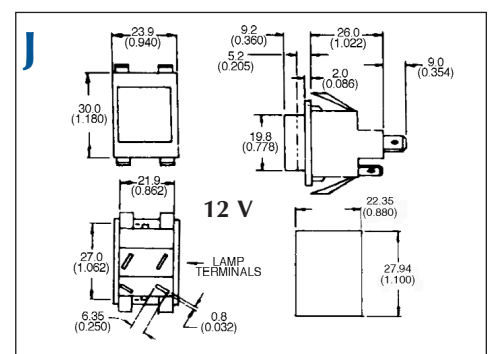
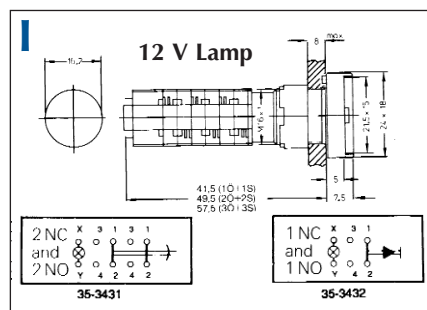
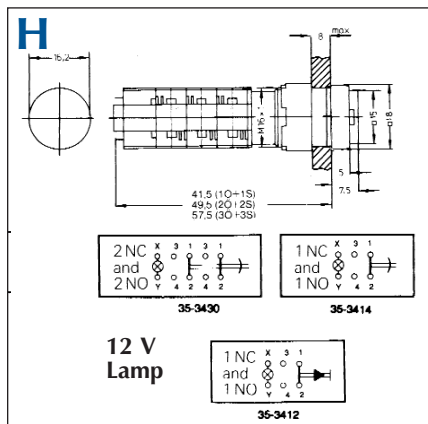
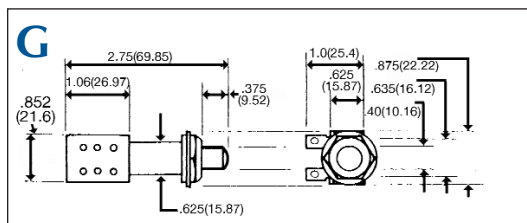
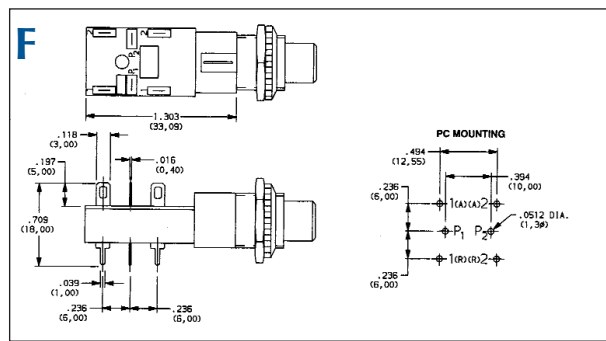
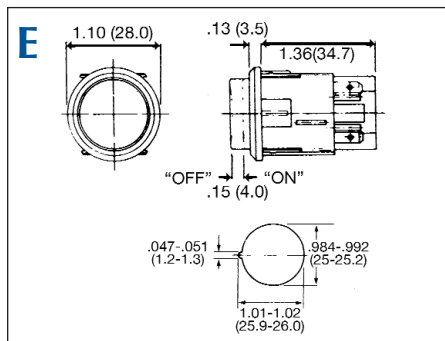
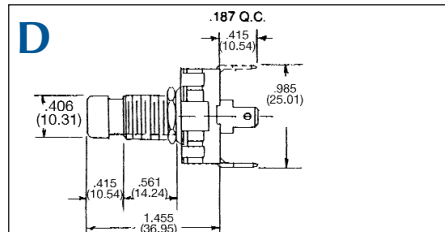
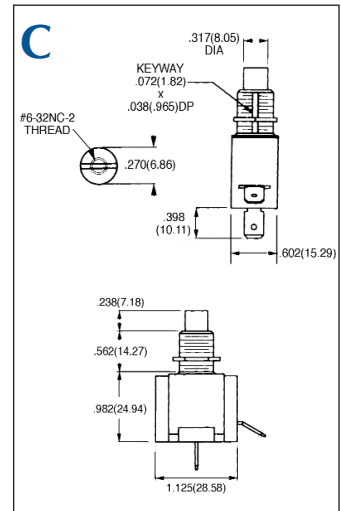
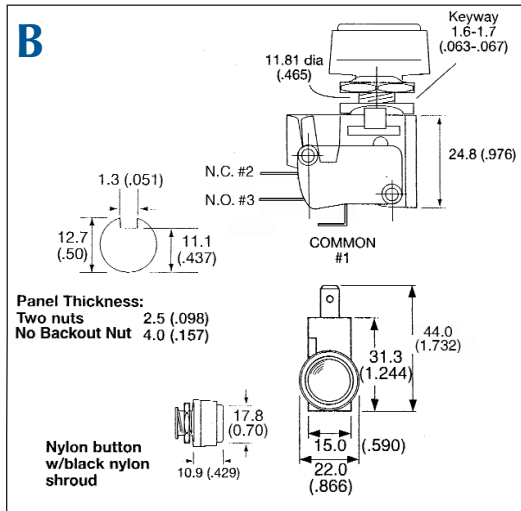
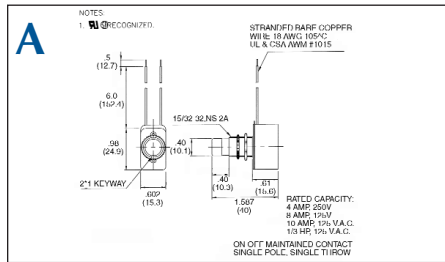
Notes: ( )=Momentary Function  
 \*NC=Normally Closed and NO=Normally Open  
 ^=12V Incandescent

N/R=Not Rated  
 PCB=Printed Circuit Board  
 †=0.2A @ 220VDC, 5mA @ 12VAC/DC

††=Lens Only  
 QC=Quick Connect  
 Rq=Rectangle  
 Sd=Solder

Note: All figures are for illustration purpose only, and the number/type of terminals may vary.

## STANDARD PUSHBUTTONS (Cont.)



Switches

## TACTILE PUSHBUTTONS



Fig. 1



Fig. 2



Fig. 3



Fig. 4



Fig. 5

Retail Part No.	Bulk Part No.	Figure No.	Circuit Function	Poles/Throws	Amps 12 VDC	50VAC/DC	Operating Force	Actuator Height	Actuator Color	Mounting Style	Body Size	Spec Drawing Page No.	Protection
35-1451		1	(On) Off	SPST	50mA		160g	0.169	Gray	PCB, Low Profile	0.472"	295-A	IP57 Protected Against Dust Temporary Immersion
35-1452		2	(On) Off	SPST	50mA		130g	0.169	Black	PCB, Low Profile	0.236"	295-A	
35-1453		3	(On) Off	SPST	50mA		200g	0.151	Gray	PCB, Low Profile	0.280"	295-A	
35-1411		4	(On) Off	SPST		1.0VA		0.093		PCB	0.283" (7mm)	295-B	
35-1414		4	(On) Off	SPST		1.0VA		0.156		PCB	0.283" (7mm)	295-B	
35-1412		5	(On) Off	SPST		1.0VA		0.093		Surface	0.283" (7mm)	295-B	

Notes:(On)=Momentary On PCB=Printed Circuit Board 35-1453 is a Right Angle Style Pushbutton

## SUB-MINIATURE SNAP ACTION



Fig. 6



Fig. 7



Fig. 8



Fig. 9

Retail Part No.	Bulk Part No.	Fig. No.	Poles/Throws	Amps 250 VAC	Operating Point (In)	Over Travel Min. (In)	Differential Travel Max. (In)	Operating Force Max. Oz. (grams)	Actuator	Terminal Type	Spec Drawing Page No.
35-822	35-822-BU	6	SPDT	5	0.488			1.0 (28)	Lever	Solder	295-C
35-834	35-834-BU	7	SPDT	5	0.449	0.016	0.008	5.2 (146)	Plunger	Solder	295-D
35-836	35-836-BU	8	SPDT	5	0.476			1.4 (39)	Lever	Solder	295-D
35-838	35-838-BU	9	SPDT	5	0.701			1.6 (45)	Roller	Solder	295-D

Notes:All of the above part numbers have momentary action.

## MINIATURE SNAP ACTION



Fig. 10



Fig. 11



Fig. 12

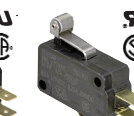


Fig. 13



Fig. 14



Fig. 15



Fig. 16



Fig. 17

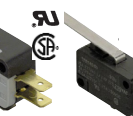


Fig. 18

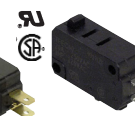


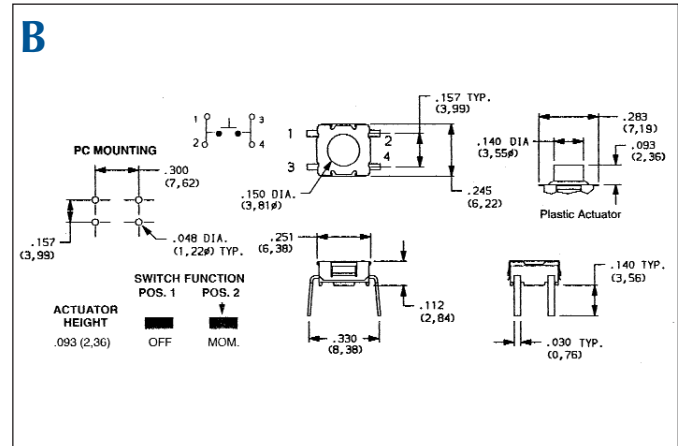
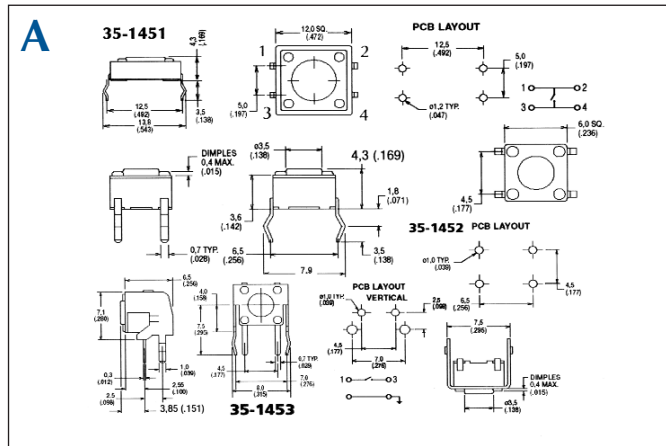
Fig. 19

Retail Part No.	Bulk Part No.	Fig. No.	Poles/Throws	Amps125/250 VAC	Amps 125 VDC	Amps 250 VDC	HP125/250 VAC	PT Max. (In)	OT Min. (In)	DT Max. (In)	OF Max. Oz. (grams)	Actuator	Actuator Length (In)	Spec Drawing Page No.
35-823	35-823-BU	10	SPDT	10	1/2	1/4	1/3	0.056	0.035	0.013	2.7 (75)	PP		295-E
35-824	35-824-BU	11	SPDT	10	1/2	1/4	1/3	0.500	0.200	0.125	0.60 (17)	Lever	2.22	295-F
35-827	35-827-BU	12	SPDT	10	1/2	1/4	1/3	0.160	0.065	0.030	1.59-2.65 (45-75)	LvR	1.343	295-G
35-846	35-846-BU	13	SPDT	10	1/2	1/4	1/3	0.070	0.035	0.013	2.65-3.18 (75-90)	LvR	0.810	295-H
35-870	35-870-BU	14	NC SPST	10	1/2	1/4	1/3	0.056	0.035	0.013	2.7 (75)	PP		295-E
35-872	35-872-BU	14	NO SPST	10	1/2	1/4	1/3	0.056	0.035	0.013	2.7 (75)	PP		295-E
35-876	35-876-BU	13	SPDT	10	1/2	1/4	1/3	0.700	0.035	0.013	5.3-6.36 (150-180)	LvR	0.810	295-H
35-878	35-878-BU	15	SPDT	10	1/2	1/4	1/2	0.140	0.062	0.050	3.18-5.3 (90-150)	SR	1.29	295-I
35-880	35-880-BU	16	SPDT	10	1/2	1/4	1/3	0.160	0.075	0.032	1.59-2.65 (45-75)	Lever	1.40	295-J
35-882	35-882-BU	12	SPDT	10	1/2	1/4	1/3	0.160	0.065	0.030	5.29 (150)	LvR	1.343	295-G
35-3934	35-3934-BU	17	SPDT	10	1/2	1/4	1/3	0.080	0.035	0.013	2.65-3.18 (75-90)	Lever	0.840	295-K
35-3938	35-3938-BU	11	SPDT	11*	1/2	1/4	1/3	0.250	0.125	0.045	2.5-8.0 (70-225)	Lever	2.34	295-F
35-3940	35-3940-BU	13	SPDT	11*	1/2	1/4	1/3	0.060	0.030	0.015	7.94 (225)	LvR	0.810	295-H
35-3942	35-3942-BU	16	SPDT	10	1/2	1/4	1/3	0.160	0.075	0.032	1.06-1.76 (30-50)	Lever	1.40	295-J
35-840	35-840-BU	10	SPDT	15	1/2	1/4	1/2	0.056	0.035	0.013	5.29 (150)	PP		295-E
35-842	35-842-BU	15	SPDT	15	1/2	1/4	1/2	0.140	0.062	0.050	3.18-5.3 (90-150)	SR	1.29	295-I
35-844	35-844-BU	16	SPDT	15	1/2	1/4	1/2	0.160	0.075	0.032	2.28-5.3 (80-150)	Lever	1.40	295-J
35-848	35-848-BU	12	SPDT	15	1/2	1/4	1/2	0.160	0.065	0.030	2.8-5.3 (80-150)	LvR	1.343	295-G
35-874	35-874-BU	13	SPDT	15	1/2	1/4	1/2	0.070	0.035	0.013	5.3-6.36 (150-180)	LvR	0.810	295-H
35-3945	35-3945-BU	18	SPDT	15*	1/2	1/4	1/2	0.250	0.125	0.045	4.2-14.1 (120-400)	Lever	2.340	295-L
35-3932	35-3932-BU	19	SPDT	21*			1†	0.047	0.050	0.010	7.94 (225)	PP		295-M

Notes: \*Rated @ 277VAC †=Rated @ 125VAC, 2 HP @ 250VAC DT=Differential Travel HP=Horse Power NC=Normally Closed NO=Normally Open OT=Over Travel PP=Pin Plunger SR=Simulated Roller All of the above have momentary action LvR=Lever Roller QC=Quick Connect All of the above snap switches have a terminal type of QC .187".

Note: All figures are for illustration purpose only, and the number/type of terminals may vary.

## TACTILE PUSHBUTTONS (Cont.)



## SUB-MINIATURE SNAP ACTION (Cont.)

