

United States Patent [19]

Garmon et al.

[11] Patent Number: **Des. 306,438**

[45] Date of Patent: **** Mar. 6, 1990**

[54] **FACE PANEL FOR A COMPUTER HARD FILE OR SIMILAR ARTICLE**

[75] Inventors: **Vincent S. Garmon**, West Palm Beach; **Pedro M. Alfonso**, Delray Beach, both of Fla.

[73] Assignee: **International Business Machines Corporation**, Armonk, N.Y.

[*] Notice: The portion of the term of this patent subsequent to Oct. 4, 2002 has been disclaimed.

[**] Term: **14 Years**

[21] Appl. No.: **12,852**

[22] Filed: **Feb. 20, 1987**

[52] U.S. Cl. **D14/115**

[58] **Field of Search** D14/100, 102, 105, 106, D14/107, 108, 109, 114, 115; 360/97, 98, 99, 132, 133; 174/50, 52.1; 312/208; 361/331, 332, 334, 380, 381, 399, 390-395, 415; D13/40, 41

[56] **References Cited**

U.S. PATENT DOCUMENTS

D. 297,893 10/1988 Garmon D14/109 X
D. 298,252 10/1988 Sapper D14/115
4,585,930 4/1986 Gasden 235/382 X

Primary Examiner—Susan J. Lucas
Assistant Examiner—Freda S. Nunn
Attorney, Agent, or Firm—Harold H. Sweeney, Jr.;
Martin J. McKinley

[57] **CLAIM**

The ornamental design for a face panel for a computer hard file or similar article, as shown and described.

DESCRIPTION

FIG. 1 is a right, top, front perspective view of the face panel for a computer hard file or similar article showing our new design;

FIG. 2 is a front elevational view thereof;

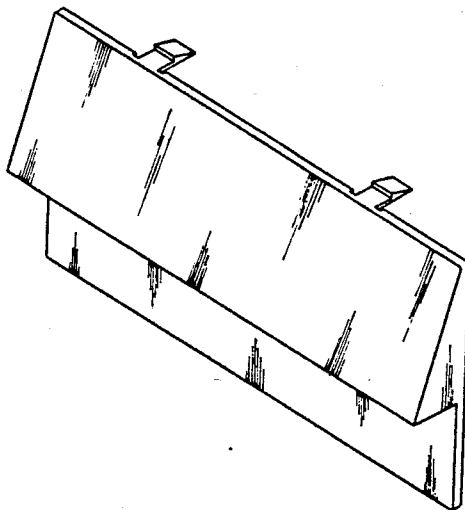
FIG. 3 is a rear elevational view thereof;

FIG. 4 is a right side elevational view thereof;

FIG. 5 is a left side elevational view thereof;

FIG. 6 is a top plan view thereof;

FIG. 7 is a bottom plan view thereof.



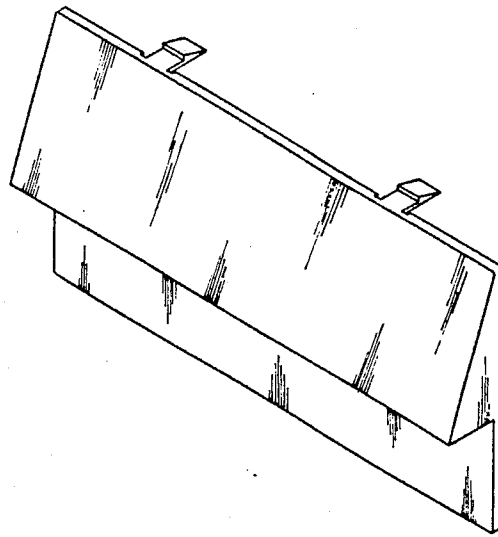


FIG. 1

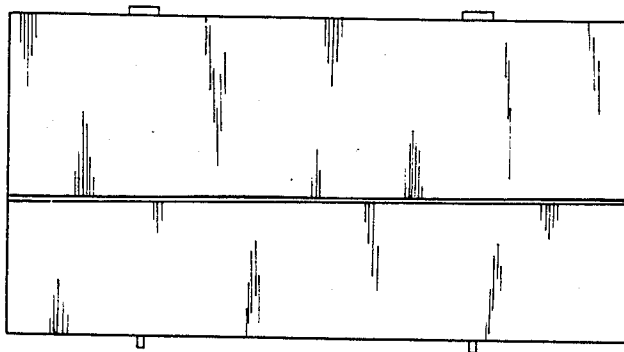


FIG. 2

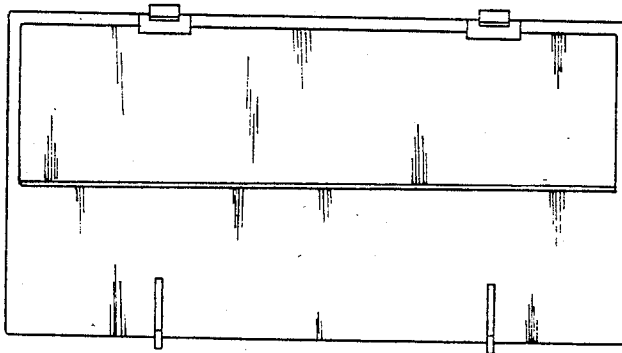


FIG. 3

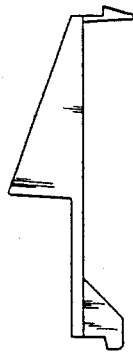


FIG. 4

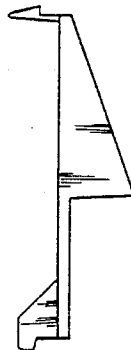


FIG. 5

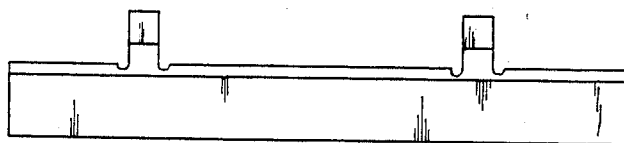


FIG. 6

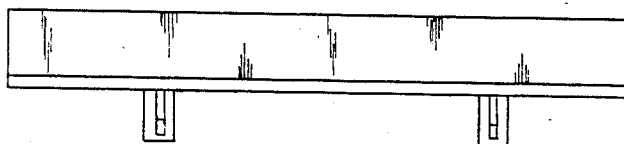


FIG 7