



US00D357468S

United States Patent [19]

Rodd

[11] Patent Number: Des. 357,468

[45] Date of Patent: ** Apr. 18, 1995

[54] FLAT PANEL COMPUTER MONITOR

[75] Inventor: Timothy J. Rodd, Emery Town, United Kingdom

[73] Assignee: International Business Machines Corporation, Armonk, N.Y.

[**] Term: 14 Years

[21] Appl. No.: 14,197

[22] Filed: Oct. 15, 1993

[30] Foreign Application Priority Data

- Apr. 17, 1993 [GB] United Kingdom 2030451
- [52] U.S. Cl. D14/113
- [58] Field of Search D14/100, 101, 106, 113, D14/124-127, 129; 345/87, 104, 133, 156, 168, 173, 901-905; 248/917-924; 358/249, 254, 255

[56] References Cited

U.S. PATENT DOCUMENTS

- D. 303,790 10/1989 Kato et al. D14/106
- D. 305,646 1/1990 Kato et al. D14/113
- D. 305,647 1/1990 Kato et al. D14/113

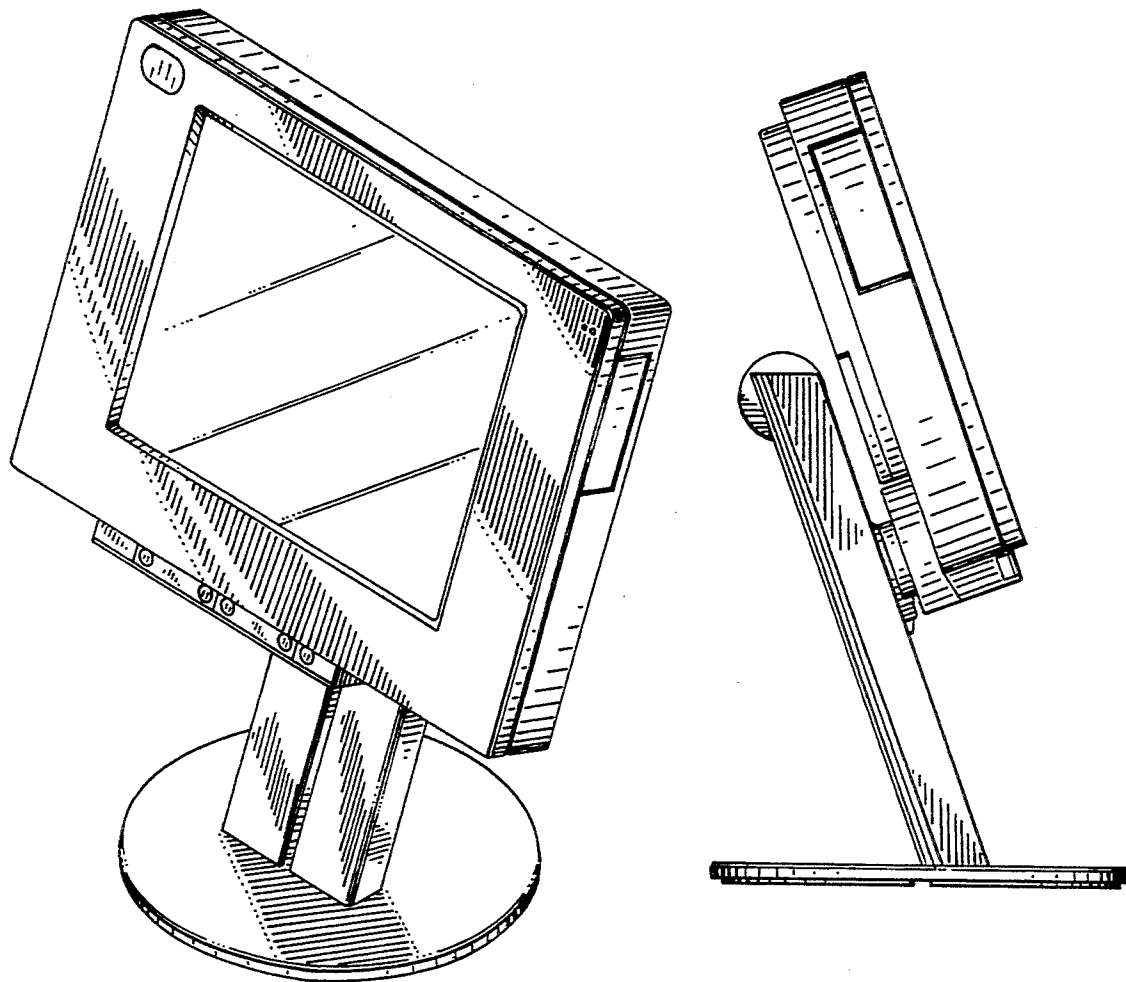
Primary Examiner—Freda S. Nunn
Attorney, Agent, or Firm—Bernard D. Bogdon

[57] CLAIM

The ornamental design for a flat panel computer monitor, as shown and described.

DESCRIPTION

FIG. 1 is a front top and right side perspective view of a flat panel computer monitor showing the new design; FIG. 2 is a rear top left side perspective view thereof; FIG. 3 is a rear elevational view thereof on an enlarged scale; FIG. 4 is a front elevational view thereof; FIG. 5 is a right side elevational view thereof; FIG. 6 is a left side elevational view thereof; FIG. 7 is a top plan view thereof; and, FIG. 8 is a bottom plan view thereof.



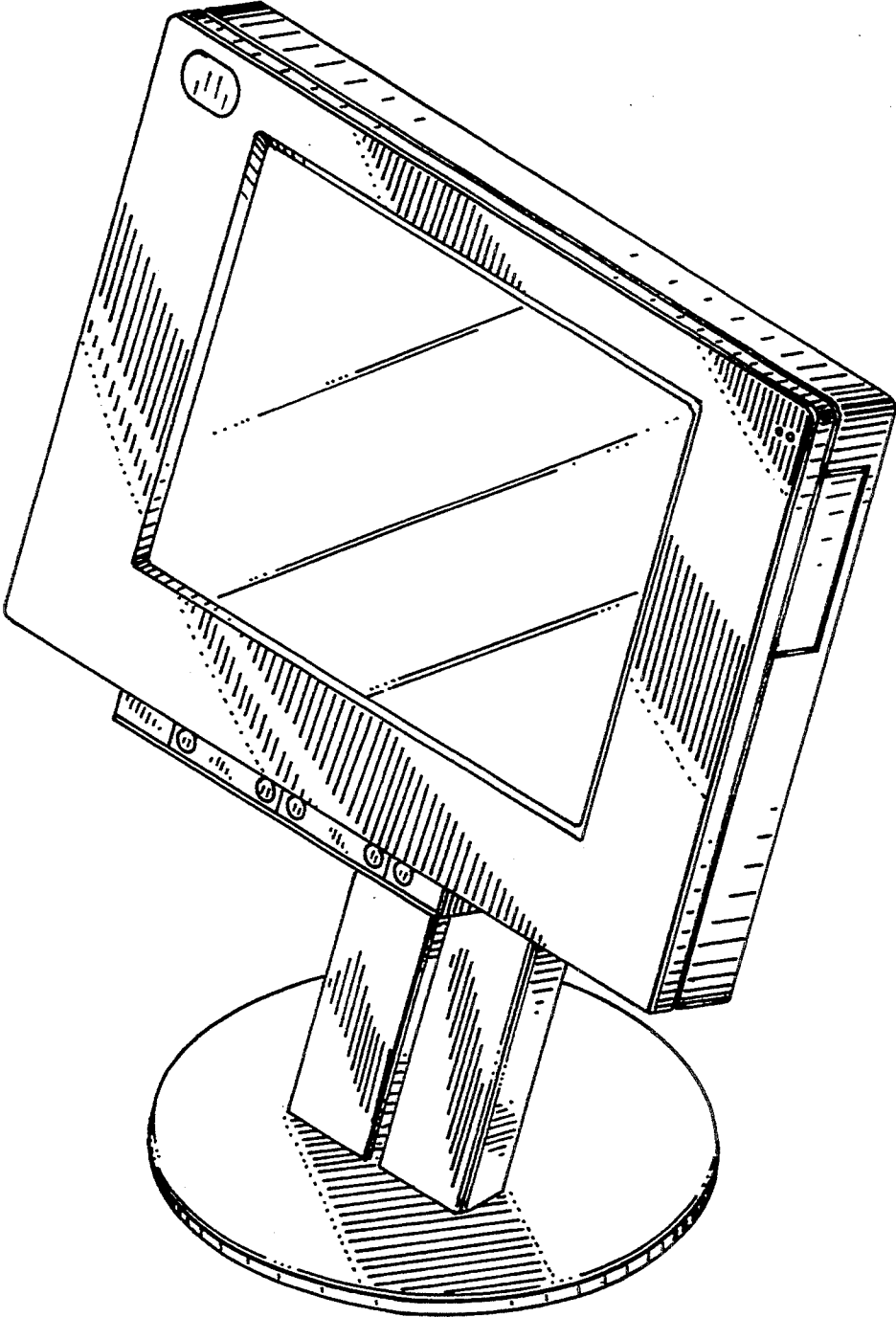


FIG. 1

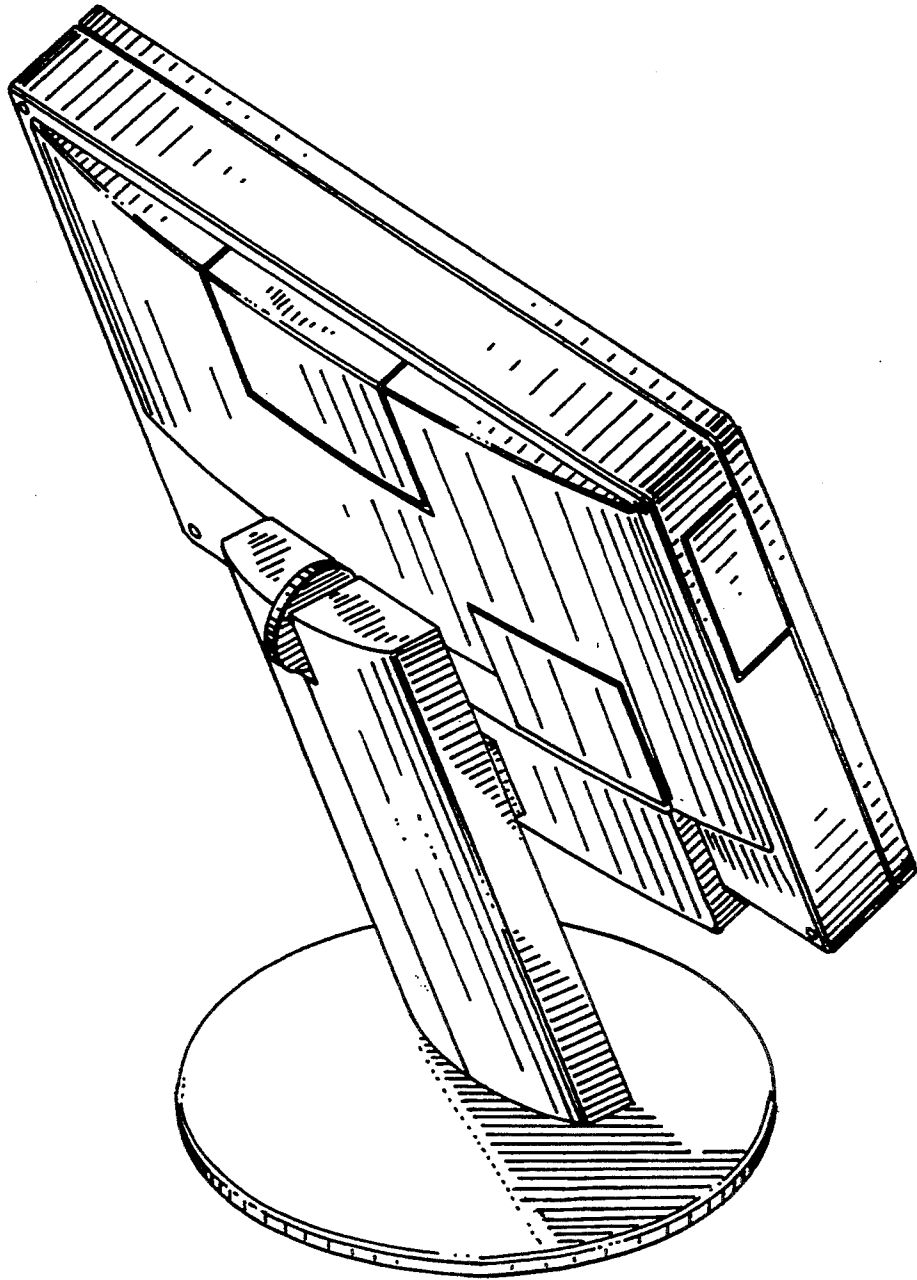


FIG. 2

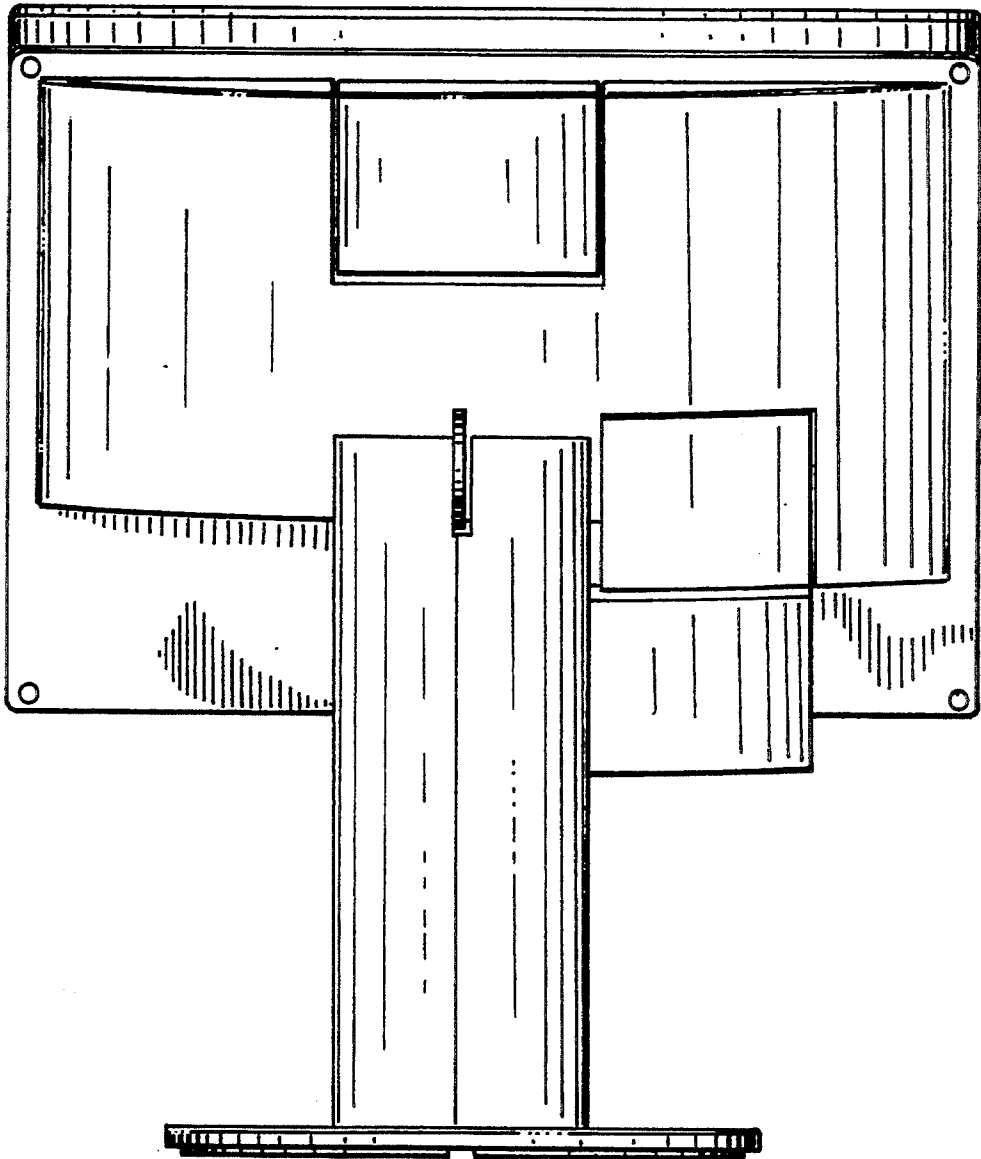


FIG. 3

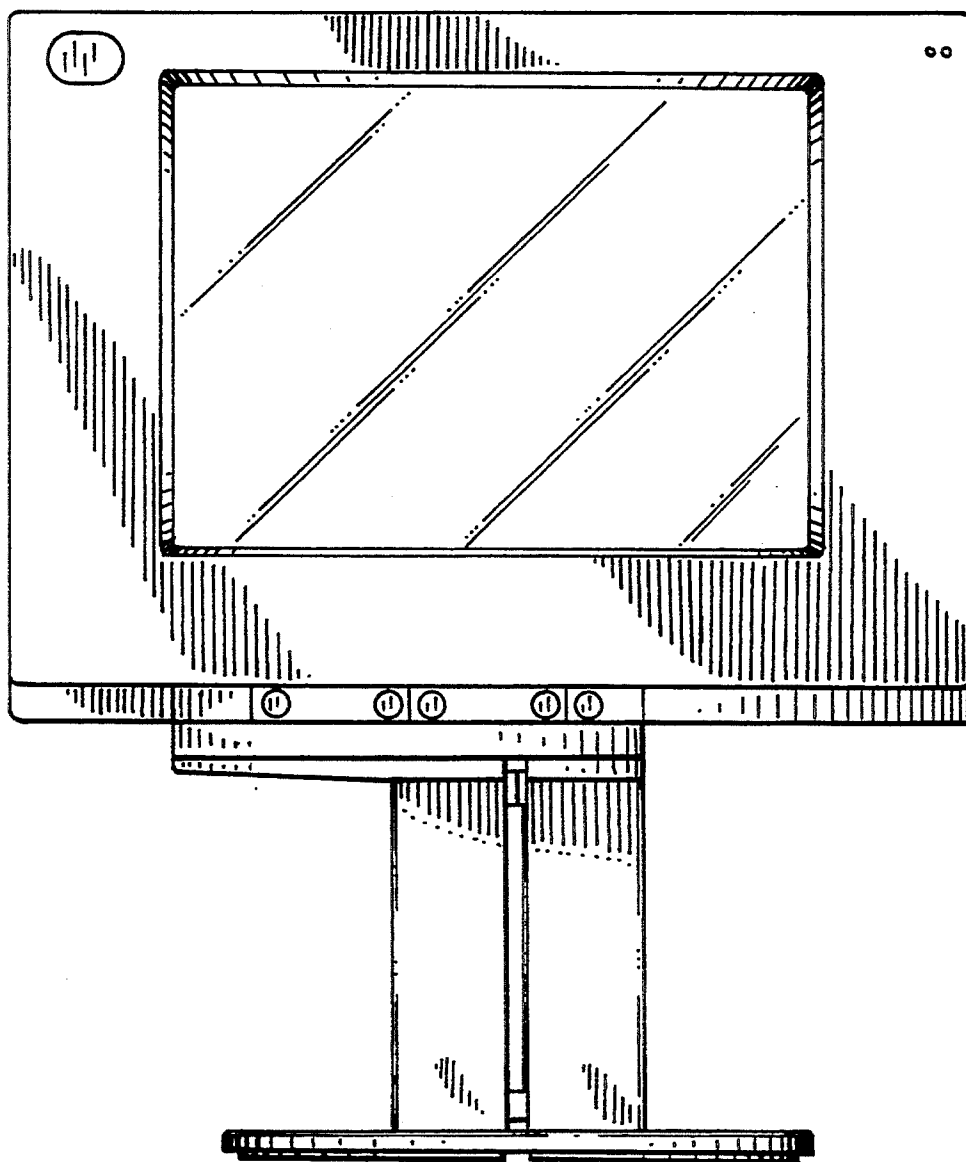


FIG. 4

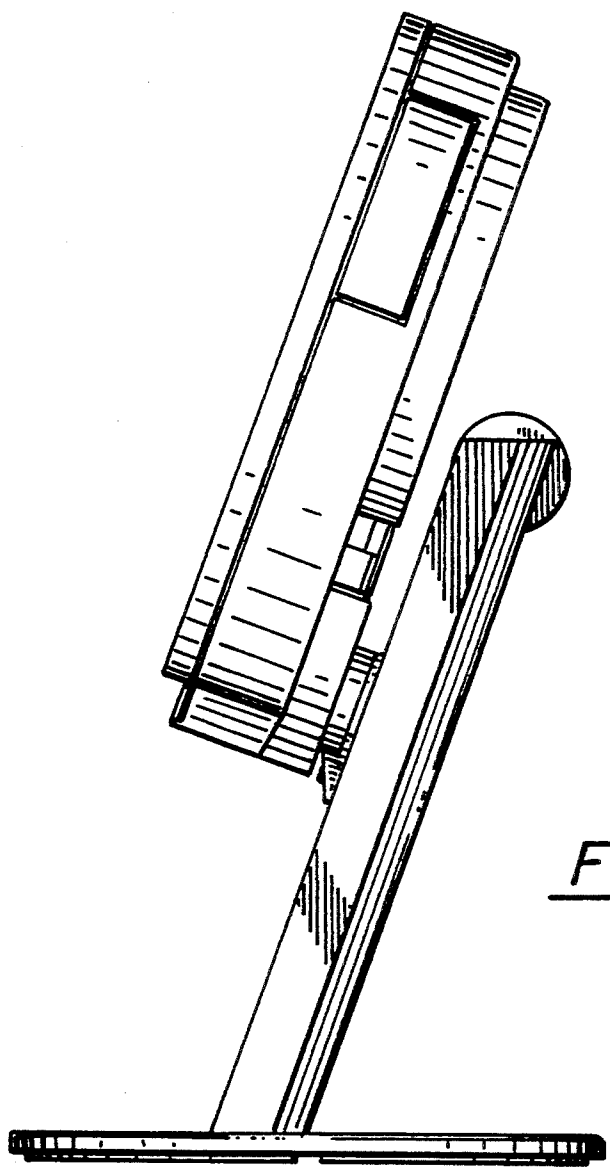


FIG. 5

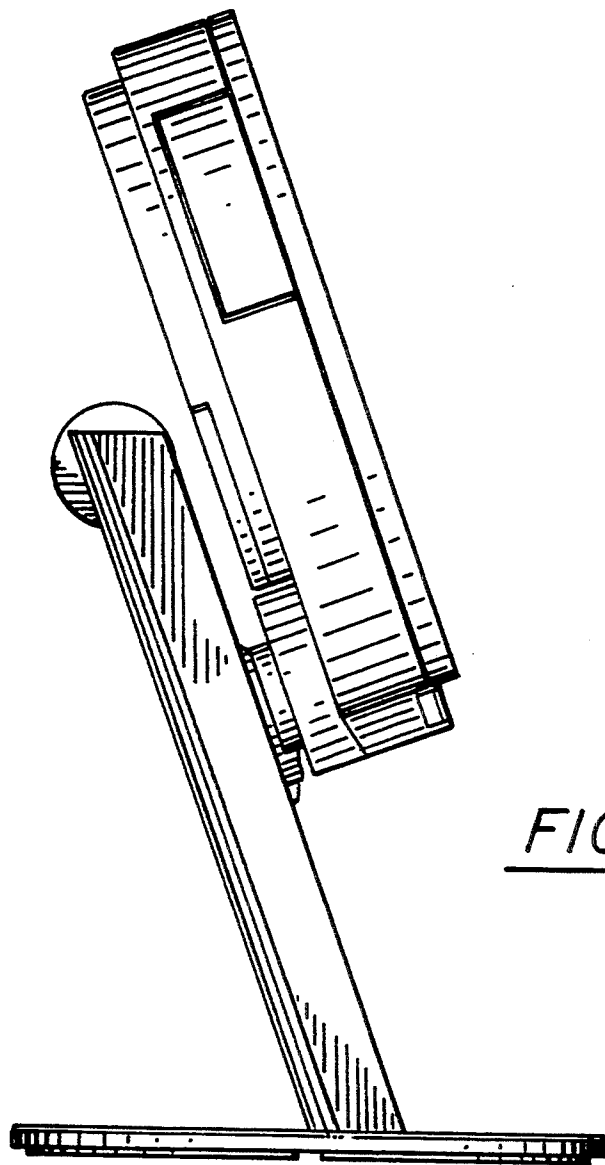


FIG. 6

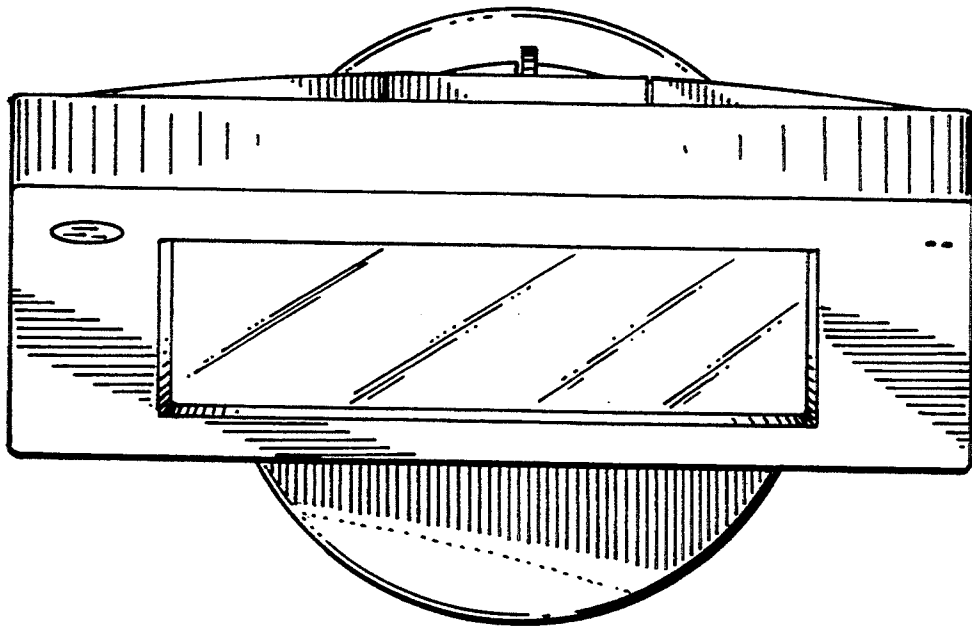


FIG. 7

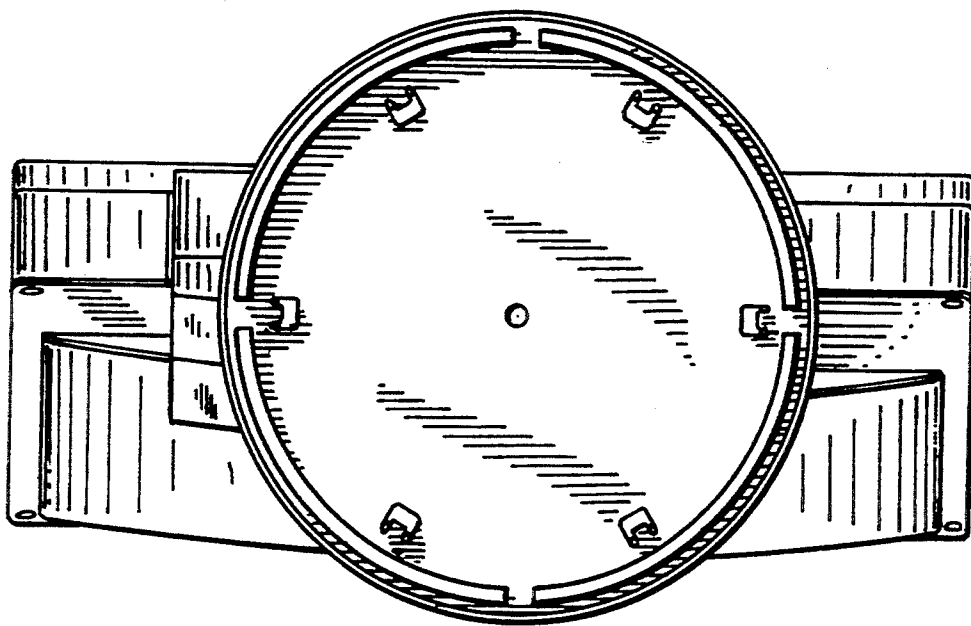


FIG. 8